

# IS31FL3238

## 18-CHANNEL LED DRIVER

Preliminary Information  
April 2018

### GENERAL DESCRIPTION

IS31FL3238 is an LED driver with 18 constant current channels. Each channel can be pulse width modulated (PWM) by 16 bits for smooth LED brightness control. In addition, each channel has an 8-bit output current control register which allows fine tuning the current for rich RGB color mixing, e.g., a pure white color LED application. The maximum output current of each channel is designed to be 76mA, which can be adjusted by one 8-bit global control register. Proprietary programmable algorithms are used in IS31FL3238 to minimize audible noise caused by the MLCC decoupling capacitor. All registers can be programmed via a high speed I2C (1MHz).

IS31FL3238 can be turned off with minimum current consumption by either pulling the SDB pin low or by using the software shutdown feature.

IS31FL3238 is available in WFQFN-28 (5mm×5mm) and eTSSOP-28 packages. It operates from 2.7V to 5.5V over the temperature range of -40°C to +125°C.

### FEATURES

- 2.7V to 5.5V VCC supply
- 1MHz I2C interface, automatic address increment function with readout function
- Four selectable I2C addresses
- Modulate LED brightness with 256/1024/4096/65536 steps PWM method
- Modulate LED DC current with 256 method
- Global 256 analog global current control
- PWM frequency selectable
- Open short detect function
- Temperature detect function
- Spread spectrum
- -40°C to +125°C temperature range
- WFQFN-28 (5mm×5mm) and eTSSOP-28 packages

### APPLICATIONS

- Mobile phones and other hand-held devices for LED display
- LED in home appliances

### TYPICAL APPLICATION CIRCUIT

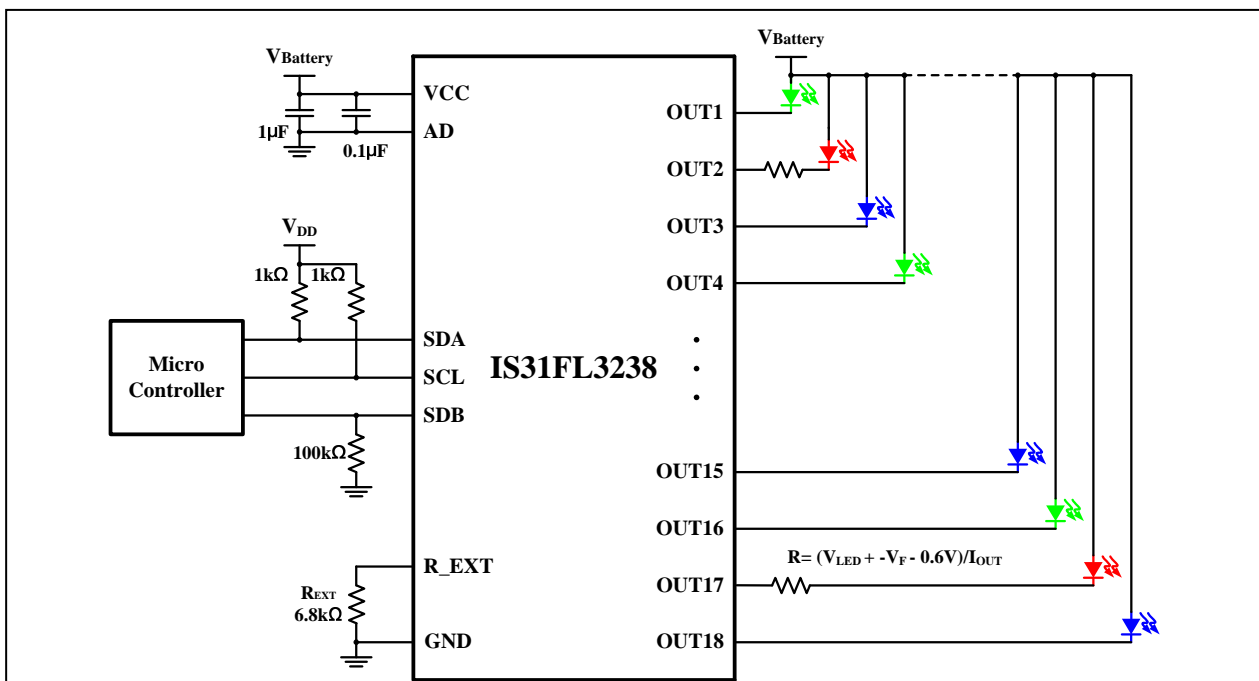
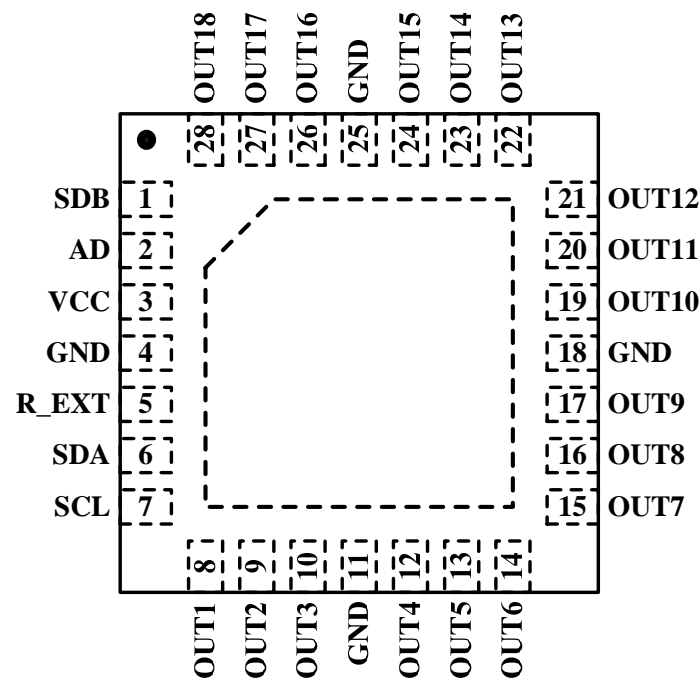
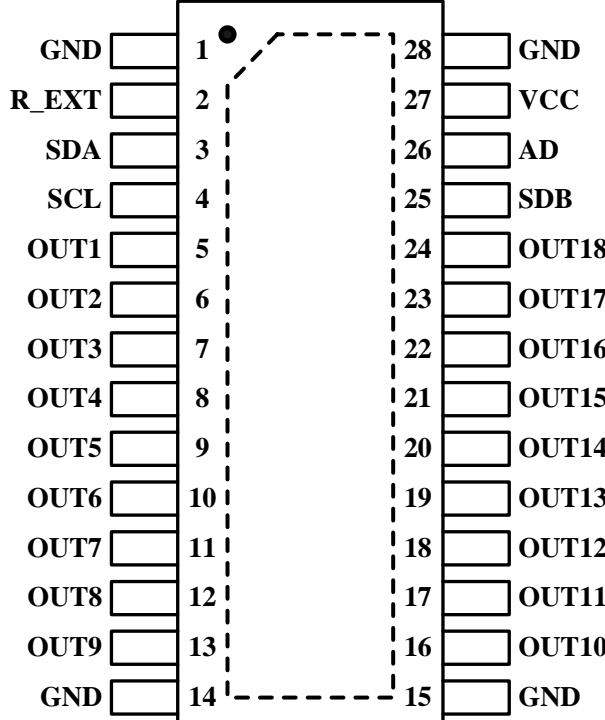


Figure 1 Typical Application Circuit

# IS31FL3238

## PIN CONFIGURATION

Package	Pin Configuration (Top View)
WFQFN-28	
eTSSOP-28	

# IS31FL3238

## PIN DESCRIPTION

No.		Pin	Description
WFQFN	eTSSOP		
1	25	SDB	Shutdown the chip when pulled low.
2	26	AD	I2C address setting.
3	27	VCC	Power supply.
4,11,18,25	1,14,15,28	GND	Ground.
5	2	R_EXT	Input terminal used to connect an external resistor. This regulates the global output current. When $R_{EXT} = 6.8k\Omega$ , $I_{OUT} = 22.4mA$ .
6	3	SDA	I2C serial data.
7	4	SCL	I2C serial clock.
8~10	5~7	OUT1~OUT3	Output channel 1~3 for LEDs.
12~17	8~13	OUT4~OUT9	Output channel 4~9 for LEDs.
19~24	16~21	OUT10~OUT15	Output channel 10~15 for LEDs.
26~28	22~24	OUT16~OUT18	Output channel 16~18 for LEDs.
		Thermal Pad	Connect to GND.



# IS31FL3238

## ORDERING INFORMATION

Industrial Range: -40°C to +125°C

Order Part No.	Package	QTY/Reel
IS31FL3238-QWLS4-TR	WFQFN-28, Lead-free	2500
IS31FL3238-ZLS4-TR	eTSSOP-28, Lead-free	

Copyright © 2018 Integrated Silicon Solution, Inc. All rights reserved. ISSI reserves the right to make changes to this specification and its products at any time without notice. ISSI assumes no liability arising out of the application or use of any information, products or services described herein. Customers are advised to obtain the latest version of this device specification before relying on any published information and before placing orders for products. Integrated Silicon Solution, Inc. does not recommend the use of any of its products in life support applications where the failure or malfunction of the product can reasonably be expected to cause failure of the life support system or to significantly affect its safety or effectiveness. Products are not authorized for use in such applications unless Integrated Silicon Solution, Inc. receives written assurance to its satisfaction, that:

- a.) the risk of injury or damage has been minimized;
- b.) the user assume all such risks; and
- c.) potential liability of Integrated Silicon Solution, Inc is adequately protected under the circumstances

# IS31FL3238

## ABSOLUTE MAXIMUM RATINGS

Supply voltage, $V_{CC}$	-0.3V ~ +6.0V
Voltage at SCL, SDA, SDB, OUT1 to OUT18	-0.3V ~ $V_{CC}+0.3V$
Maximum junction temperature, $T_{JMAX}$	+150°C
Storage temperature range, $T_{STG}$	-65°C ~ +150°C
Operating temperature range, $T_A=T_J$	-40°C ~ +125°C
Package thermal resistance (Mounted on JEDEC standard 4 layer(2s2p) PCB test board), $\theta_{JA}$	39.5°C/W (WFQFN) 32.3°C/W (eTSSOP)
ESD (HBM)	TBD
ESD (CDM)	

### Note:

Stresses beyond those listed under “Absolute Maximum Ratings” may cause permanent damage to the device. These are stress ratings only and functional operation of the device at these or any other condition beyond those indicated in the operational sections of the specifications is not implied. Exposure to absolute maximum rating conditions for extended periods may affect device reliability.

## ELECTRICAL CHARACTERISTICS

Typical values are  $T_A = 25^\circ\text{C}$ ,  $V_{CC} = 3.6V$ .

Symbol	Parameter	Condition	Min.	Typ.	Max.	Unit
$V_{CC}$	Supply voltage		2.7		5.5	V
$I_{MAX}$	Maximum output current	$V_{CC} = 4.2V$ , $V_{OUT} = 0.8V$ , $R_{EXT} = 2k\Omega$ , $GCC = 0xFF$ , $Scaling = 0xFF$ (Note 1)		76		mA
$I_{OUT}$	Output current	$R_{EXT} = 6.8k\Omega$ , $V_{CC} = 4.2V$ , $V_{OUT} = 0.4V$ , $GCC = 0xFF$ , $Scaling = 0xFF$		22.4		mA
$\Delta I_{MAT}$	$I_{OUT}$ mismatch in chip	$R_{EXT} = 6.8k\Omega$ , $GCC = 0xFF$ , $Scaling = 0xFF$ , $I_{OUT} = 22.4mA$	-8		8	%
$\Delta I_{OUT}$	$I_{OUT}$ mismatch between chip	$R_{EXT} = 6.8k\Omega$ , $GCC = 0xFF$ , $Scaling = 0xFF$ , $I_{OUT} = 22.4mA$	-8		8	%
$V_{HR}$	Headroom voltage	$R_{EXT} = 6.8k\Omega$ , $GCC = 0xFF$ , $Scaling = 0xFF$ , $I_{OUT} = 22.4mA$		0.2	0.3	V
$I_{CC}$	Quiescent power supply current	$R_{EXT} = 6.8k\Omega$ , $GCC = 0xFF$ , $Scaling = 0xFF$ , $I_{OUT} = 22.4mA$ , $PWM = 0x00$		5	10	mA
$I_{SD}$	Shutdown current	$R_{EXT} = 6.8k\Omega$ , $V_{SDB} = 0V$ or software shutdown, $T_A = 25^\circ\text{C}$ , $V_{CC} = 3.6V$		3	5	$\mu\text{A}$
$I_{OZ}$	Output leakage current	$V_{SDB} = 0V$ or software shutdown, $V_{OUT} = 5.5V$			0.1	$\mu\text{A}$
$T_{SHDN}$	Thermal shutdown			165		°C
$T_{SHDNHYS}$	Hysteresis			20		°C

### Logic Electrical Characteristics (SDA, SCL, SDB)

$V_{IL}$	Logic “0” input voltage	$V_{CC} = 2.7V \sim 5.5V$			0.4	V
$V_{IH}$	Logic “1” input voltage	$V_{CC} = 2.7V \sim 5.5V$	1.4			V
$I_{IL}$	Logic “0” input current	$V_{INPUT} = 0V$ (Note 2)		5		nA
$I_{IH}$	Logic “1” input current	$V_{INPUT} = V_{CC}$ (Note 2)		5		nA

# IS31FL3238

## DIGITAL INPUT SWITCHING CHARACTERISTICS (NOTE 2)

Symbol	Parameter	Fast Mode			Fast Mode Plus			Units
		Min.	Typ.	Max.	Min.	Typ.	Max.	
$f_{SCL}$	Serial-clock frequency	-		400	-		1000	kHz
$t_{BUF}$	Bus free time between a STOP and a START condition	1.3		-	0.5		-	$\mu$ s
$t_{HD, STA}$	Hold time (repeated) START condition	0.6		-	0.26		-	$\mu$ s
$t_{SU, STA}$	Repeated START condition setup time	0.6		-	0.26		-	$\mu$ s
$t_{SU, STO}$	STOP condition setup time	0.6		-	0.26		-	$\mu$ s
$t_{HD, DAT}$	Data hold time	-		-	-		-	$\mu$ s
$t_{SU, DAT}$	Data setup time	100		-	50		-	ns
$t_{LOW}$	SCL clock low period	1.3		-	0.5		-	$\mu$ s
$t_{HIGH}$	SCL clock high period	0.7		-	0.26		-	$\mu$ s
$t_R$	Rise time of both SDA and SCL signals, receiving	-		300	-		120	ns
$t_F$	Fall time of both SDA and SCL signals, receiving	-		300	-		120	ns

**Note 1:** The recommended minimum value of  $R_{EXT}$  is 2k $\Omega$ .

**Note 2:** Guaranteed by design.

# IS31FL3238

## DETAILED DESCRIPTION

### I2C INTERFACE

The IS31FL3238 uses a serial bus, which conforms to the I2C protocol, to control the chip's functions with two wires: SCL and SDA. The IS31FL3238 has a 7-bit slave address (A7:A1), followed by the R/W bit, A0. Set A0 to "0" for a write command and set A0 to "1" for a read command. The value of bits A1 and A2 are decided by the connection of the AD pin. The complete slave address is:

**Table 1 Slave Address (Write only):**

Bit	A7:A3	A2:A1	A0
Value	01101	AD	0

AD connected to GND, AD = 00;  
 AD connected to VCC, AD = 11;  
 AD connected to SCL, AD = 01;  
 AD connected to SDA, AD = 10;

The SCL line is uni-directional. The SDA line is bi-directional (open-collector) with a pull-up resistor (typically 1kΩ). The maximum clock frequency specified by the I2C standard is 1MHz. In this discussion, the master is the microcontroller and the slave is the IS31FL3238.

The timing diagram for the I2C is shown in Figure 2. The SDA is latched in on the stable high level of the SCL. When there is no interface activity, the SDA line should be held high.

The "START" signal is generated by lowering the SDA signal while the SCL signal is high. The start signal will alert all devices attached to the I2C bus to check the incoming address against their own chip address.

The 8-bit chip address is sent next, most significant bit first. Each address bit must be stable while the SCL level is high.

After the last bit of the chip address is sent, the master checks for the IS31FL3238's acknowledge. The master releases the SDA line high (through a pull-up resistor).

Then the master sends an SCL pulse. If the IS31FL3238 has received the address correctly, then it holds the SDA line low during the SCL pulse. If the SDA line is not low, then the master should send a "STOP" signal (discussed later) and abort the transfer.

Following acknowledge of IS31FL3238, the register address byte is sent, most significant bit first. IS31FL3238 must generate another acknowledge indicating that the register address has been received.

Then 8-bit of data byte are sent next, most significant bit first. Each data bit should be valid while the SCL level is stable high. After the data byte is sent, the IS31FL3238 must generate another acknowledge to indicate that the data was received.

The "STOP" signal ends the transfer. To signal "STOP", the SDA signal goes high while the SCL signal is high.

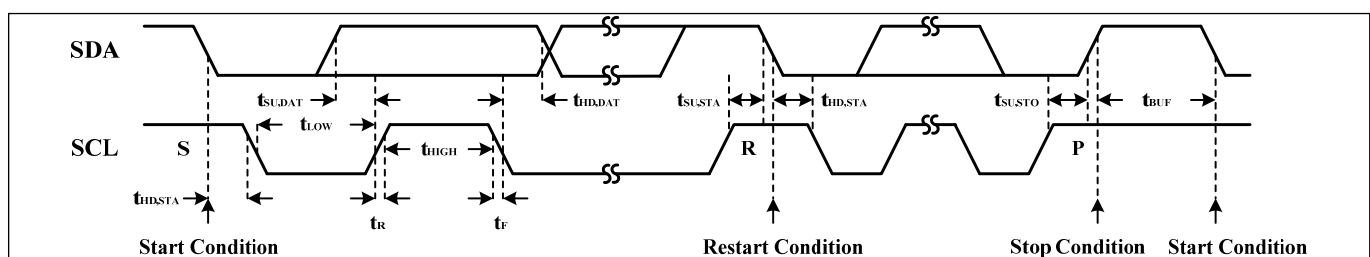
### ADDRESS AUTO INCREMENT

To write multiple bytes of data into IS31FL3238, load the address of the data register that the first data byte is intended for. During the IS31FL3238 acknowledge of receiving the data byte, the internal address pointer will increment by one. The next data byte sent to IS31FL3238 will be placed in the new address, and so on. The auto increment of the address will continue as long as data continues to be written to IS31FL3238 (Figure 5).

### READING OPERATION

Most of the registers can be read.

To read the register, after I2C start condition, the bus master must send the IS31FL3238 device address with the R/W bit set to "0", followed by the register address which determines which register is accessed. Then restart I2C, the bus master should send the IS31FL3238 device address with the R/W bit set to "1". Data from the register defined by the command byte is then sent from the IS31FL3238 to the master (Figure 6).



**Figure 2** Interface Timing

# IS31FL3238

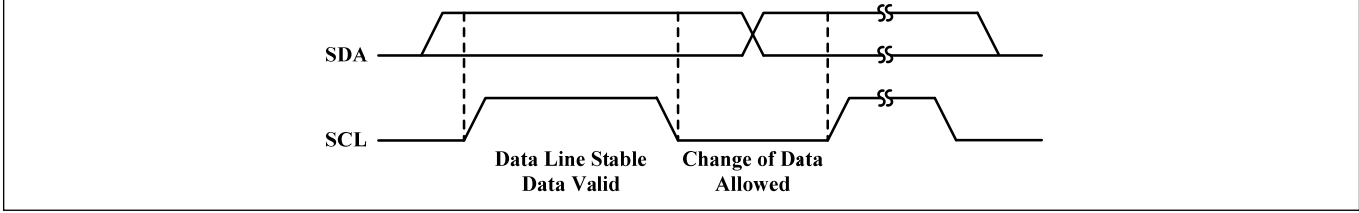


Figure 3 Bit Transfer

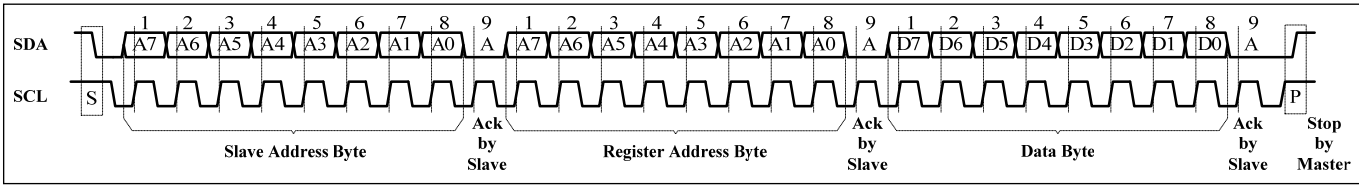


Figure 4 Writing to IS31FL3238 (Typical)

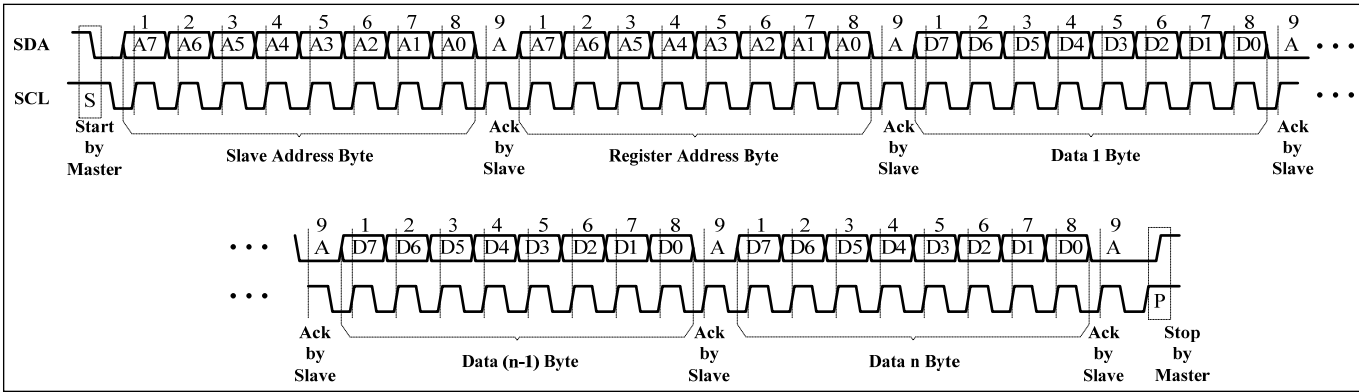


Figure 5 Writing to IS31FL3238 (Automatic Address Increment)

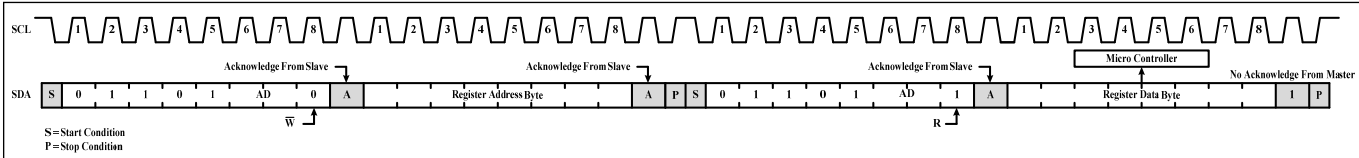


Figure 6 Reading from IS31FL3238



# IS31FL3238

## REGISTER DEFINITIONS

**Table 2 Register Function**

Address	Name	Function	Table	Default
00h	Control Register	Power control register	3	0000 0000
01h~48h	PWM Register	Channel [18:1] PWM register byte	5	
49h	Update Register	Update the PWM and scaling data	-	
4Ah~6Dh	LED Scaling Register	Control each channel's DC current	6	
6Eh	Global Current Control Register	Control global DC current/SSD	7	
70h	Phase Delay and Clock Phase Register	Phase delay and clock phase	8	
71h	Open Short Detect Enable Register	Open short detect enable	9	
72h~76h	LED Open/Short Register	Open short information	10	
77h	Temperature Sensor Register	Temperature information	11	
78h	Spread Spectrum Register	Spread spectrum control register	12	
7Fh	Reset Register	Reset all registers	-	

**Table 3 00h Control Register**

Bit	D7	D6:D4	D3	D2:D1	D0
Name	-	OSC[2:0]	-	PMS[1:0]	SSD
Default	0	000	0	00	0

The Control Register sets software shutdown mode, internal oscillator clock frequency and PWM resolution. The internal oscillator clock frequency and the PWM resolution will decide the output PWM frequency, Recommend using lower than 500Hz option or higher than 20kHz options to avoid the MLCC's audible noise as shown in Table 4.

**SSD** Software Shutdown Enable  
 0 Software shutdown mode  
 1 Normal operation

**OSC** Oscillator Clock Frequency Selection  
 000 16MHz  
 001 8MHz  
 010 4MHz  
 011 2MHz  
 100 1MHz  
 101 0.5MHz  
 110 0.25MHz  
 111 0.125MHz

**PMS** PWM resolution  
 00 8-bit  
 01 10-bit  
 10 12-bit  
 11 16-bit

**Table 4 PWM Frequency**

PWM Resolution	16M	8M	4M	2M	1M	0.5	0.25	0.125
8bit	62k	32k	16k	8k	4k	2k	1k	0.5k
10bit	16k	8k	4k	2k	1k	0.5k	244	122
12bit	4k	2k	1k	0.5k	244	122	NA	NA
16bit	244	122	NA	NA	NA	NA	NA	NA

**Table 5 01h~48h PWM Register**

Reg	02h (04h, 06h...)	01h (03h, 05h...)
Bit	D7:D0	D7:D0
Name	PWMX_H	PWMX_L
Default	0000 0000	0000 0000

X=A or B, Each output has 2 bytes × 2, total 4 registers to modulate the PWM duty in 256/1024/4096/65536 steps. For example, OUT1 use 04h/03h(PWMB), 02h/01(PWMA) to modulate the PWM, OUT2 use 08h/07h(PWMB), 06h/05(PWMA) to modulate the PWM, etc., If using the 8 bit PWM resolution, only the PWM\_L needs to be set.

The value of the SL (Scaling Register) Registers decides the peak current of each LED noted  $I_{OUT}$ .

$I_{OUT}$  and the value of the PWM Registers decide the average current of each LED noted  $I_{LED}$ .

$I_{OUT}$  computed by Formula (1):

$$I_{OUT} = I_{OUT(MAX)} \times \frac{GCC}{256} \times \frac{SLB + SLA}{512} \quad (1)$$

$I_{LED}$  computed by Formula (2):

$$I_{LED} = \frac{PWMB + PWMA}{2N} \times I_{OUT} \quad (2)$$

$$PWMA = \sum_{n=0}^{15} D[n] \cdot 2^n \quad (3)$$

$$PWMB = \sum_{n=0}^{15} D[n] \cdot 2^n \quad (4)$$

Where  $I_{OUT(MAX)}$  is the maximum output current decided by  $R_{EXT}$  (check  $R_{EXT}$  section for more information), GCC is the global current setting(4Ah), and SLB, SLA are the scaling of each output (4Bh~6Eh),  $N=256/1024/4096/65536(8/10/12/16$  bit PWM resolution)

For example:  $R_{EXT}=6.8k\Omega$ ,  $GCC=0xFF$ ,  $SL=0xFF$ ,  $PMS="11"$  (16 bit PWM resolution),  $PWMA\_H=0xFF$ ,  $PWMA\_L=0xFF$ ,  $PWMB\_H=0xFF$ ,  $PWMB\_L=0xFF$ ,

$$I_{OUT(MAX)} = 22.4mA$$

$$I_{OUT} = I_{OUT(MAX)} \times \frac{255}{256} \times \frac{255 + 255}{512} = 22.4mA \quad (1)$$

$$PWMA = \sum_{n=0}^{15} D[n] \cdot 2^n = 65535 \quad (3)$$

$$PWMB = \sum_{n=0}^{15} D[n] \cdot 2^n = 65535 \quad (3)$$

$$N = 65536$$

$$I_{LED} = \frac{65535 + 65535}{2 \times 65536} \times 22.4mA = 22.4mA \quad (2)$$

Where  $I_{OUT(MAX)}$  is the maximum output current decided by  $R_{EXT}$  (check  $R_{EXT}$  section for more information)

The  $I_{OUT}$  of each channel is setting by the SL bits of LED Scaling Register (26h~49h). Please refer to the detail information in Table 6.

If  $R_{EXT}=6.8k\Omega$ ,  $GCC=0xFF$ ,  $SL=0xFF$ ,  $PMS="00"$  (8 bit PWM resolution, only use the PWM\_L, the PWM\_H will be ignored),  $PWMA\_H=0x77$ ,  $PWMA\_L=0xAA$ ,  $PWMB\_H=0x77$ ,  $PWMB\_L=0xAA$ ,

$$I_{OUT(MAX)} = 22.4mA$$

$$I_{OUT} = I_{OUT(MAX)} \times \frac{255}{256} \times \frac{255 + 255}{256 \times 2} = 22.4mA \quad (1)$$

$$PWMA = \sum_{n=0}^8 D[n] \cdot 2^n = 170 \quad (3)$$

$$PWMB = \sum_{n=0}^8 D[n] \cdot 2^n = 170 \quad (4)$$

$$N = 256$$

$$I_{LED} = \frac{170 + 170}{256 \times 2} \times 22.4mA \quad (2)$$

## 49h Update Register

A Write of 00h to 0x49 is to update the PWM registers (0x01~0x48) values.

**Table 6 4Ah~6Dh LED Scaling Register**

Bit	D7:D0
Name	SLX[7:0]
Default	0000 0000

X=A or B, each output has 8 bits  $\times 2$  to modulate DC current in 256 steps, for example, OUT1 use 4Bh and 4Ah to set the DC output current, OUT2 use 4Dh and 4Ch to set the DC output current, etc..

The value of the SLB+SLA Registers decides the DC peak current of each LED noted  $I_{OUT}$ .

$I_{OUT}$  computed by Formula (1):

$$I_{OUT} = I_{OUT(MAX)} \times \frac{GCC}{256} \times \frac{SLA + SLB}{256 \times 2} \quad (1)$$

$$SLA = \sum_{n=0}^7 D[n] \cdot 2^n \quad (5)$$

$$SLB = \sum_{n=0}^7 D[n] \cdot 2^n \quad (5)$$

Where  $I_{OUT(MAX)}$  is the maximum output current decided by  $R_{EXT}$ , GCC is the global current setting(4AH)

4Ah~6Dh don't need to update by 49h, each register will be updated immediately when it is written.

**Table 7 6Eh Global Current Control Register**

Bit	D7:D0
Name	GCC
Default	0000 0000

GCC and SL control the  $I_{OUT}$  as shown in formula (1).

$$GCC = \sum_{n=0}^7 D[n] \cdot 2^n \quad (5)$$

If  $GCC=0xFF$ ,  $SLA=255$ ,  $SLB=255$ ,  $I_{OUT}=I_{OUT(MAX)}$

If  $GCC=0x01$ ,  $SLA=255$ ,  $SLB=0$ ,

$$I_{OUT} = I_{OUT(MAX)} \times \frac{1}{256} \times \frac{255 + 0}{256 \times 2}$$

Where  $I_{OUT(MAX)}$  is the maximum output current decided by  $R_{EXT}$  (check  $R_{EXT}$  section for more information).

# IS31FL3238

**Table 8 70h Phase Delay and Clock Phase Register**

Bit	D7	D6	D5	D4	D3	D2	D1	D0
Name	PDE	-	PS	PS	PS	PS	PS	PS
Default	0	0	0	0	0	0	0	0

IS31FL3238 features the 6 phase delay function, when this bit enable, the phase delay function enable and otherwise it will be disabled

**PDE** Phase Delay Enable  
 0 Phase delay disable  
 1 Phase delay enable

**PS** Phase Select  
 0 Phase delay 0 Degree  
 1 Phase delay 180 Degree

**Table 9 71h Open Short Detect Enable Register**

Bit	D7:D2	D1:D0
Name	-	OSDE
Default	0000 00	00

OSDE enable the detect once and the result will store in 72h~76h, notice that the 72h~76h only store open or short information at the same time

**OSDE** Open Detect Enable  
 00 Detect disable  
 01 Detect disable  
 10 Short detect enable  
 11 Open detect enable

**Table 10-1 72h~ 75h LED Open/Short Register**

72h	D7:D0
Name	OP/ST[8:1]
Default	x0x0 x0x0

**Table 10-2 76h LED Open/Short Register**

Bit	D7:D4	D3:D0
Name	-	OP/ST[18:17]
Default	0000	x0x0

Open or short status are stored in 72h to 76h.

**OP[18:1]** Open Information of OUT18:OUT1  
 0 No open happens  
 1 The output opens

**ST[18:1]** Short Information of OUT18:OUT1  
 0 No short happens  
 1 The output shorts

**Table 11 77h Temperature Sensor Register**

Bit	D7:D6	D5	D4	D3:D2	D1:D0
Name	TROF	-	T_Flag	-	TS[1:0]
Default	00	0	0	00	00

TS[2:0] store the temperature point of the IS31FL3238. If T\_Flag=1, the die temperature exceed the temperature point.

Read T\_Flag, will get the data if die temperature exceeds the setting point (TS) or not.

**TROF** Thermal roll off percentage of output current  
 00 100%  
 01 75%  
 10 55%  
 11 30%

**TS** Temperature Point, Thermal roll off start point  
 00 <140D  
 01 <120D  
 10 <100D  
 11 <90D

**T\_Flag** Temperature Flag  
 0 Not reach the setting temperature point  
 1 Reach the setting temperature point

**Table 12 78h Spread Spectrum Register**

Bit	D7:D5	D4	D3:D2	D1:D0
Name	DCPWM	SSP	RNG	CLT
Default	000	0	00	00

When DCPWM is set to "0", the outputs PWM is decided by 01h~48h, and the PWM range is 0/256~255/256, still the 1/256 can't be turned on. When the DCPWM is set to "1", no matter what the values in 01h~48h register are, the output will be turned on 256/256, the output will open totally. Spread spectrum register enable the spread spectrum function, adjust the cycle time and range.

**DCPWM** Setting the output to work in DC mode  
 xx1 Channel1~6 PWM data set by register 01h~18h  
 xx0 Channel1~6 PWM data set to DC high  
 x1x Channel7~12 PWM data set by register 19h~30h  
 x0x Channel7~12 PWM data set to DC high  
 1xx Channel13~18 PWM data set by register 31h~48h  
 0xx Channel13~18 PWM data set to DC high

## IS31FL3238

---

**SSP** Spread Spectrum Enable  
0 Disable  
1 Enable

**CLT** Spread Spectrum Cycle Time  
00 1980 $\mu$ s  
01 1200 $\mu$ s  
10 820 $\mu$ s  
11 660 $\mu$ s

**RNG** Spread Spectrum Range  
00  $\pm$ 5%  
01  $\pm$ 15%  
10  $\pm$ 24%  
11  $\pm$ 34%

### 7Fh Reset Register (0x00)

A Write of 00h to 0x7F is to reset all registers to their default values.

# IS31FL3238

## APPLICATION INFORMATION

### R<sub>EXT</sub>

The maximum output current I<sub>OUT(MAX)</sub> of OUT1~OUT18 can be adjusted by the external resistor, R<sub>EXT</sub>, as described in Formula (6).

$$I_{OUT(MAX)} = 2x \cdot \frac{V_{EXT}}{R_{EXT}} \quad (6)$$

x = 58.84, V<sub>OUT</sub> = 0.8V, V<sub>EXT</sub> = 1.3V.

The recommended minimum value of R<sub>EXT</sub> is 2kΩ.

When R<sub>EXT</sub>=6.8kΩ, I<sub>OUT(MAX)</sub>=22.4mA

When R<sub>EXT</sub>=3.3kΩ, I<sub>OUT(MAX)</sub>=46.36mA

When R<sub>EXT</sub>=2kΩ, I<sub>OUT(MAX)</sub>=76.5mA

### CURRENT SETTING

The maximum output current is set by the external register R<sub>EXT</sub>. The current of each output can also be set independently by the SLA or SLB 8 bits of LED Scaling Register (4Ah~6Dh).

Some applications the IOUT of each channel need to adjust independently.

For example, if OUT1 drive 1 LED and OUT2 drive 2 LED, the total 3 LED want to have same average current like 18mA, we can set the I<sub>OUT(MAX)</sub> to 36mA, and GCC=0xFF, 4Ah=0x80, 4B=0x80, 4Ch=0xFF, 4Dh=0xFF, the OUT1 sinks about 18mA and OUT2 sinks 36mA which can have two LEDs in parallel.

For another example, OUT1, OUT2 and OUT3 drive a RGB LED, OUT1 is Red LED, OUT2 is green LED and OUT 3 is blue LED, with same R<sub>EXT</sub>, GCC and same SL bits, when OUT1 OUT2 and OUT3 have the same PWM value, the LED may looks a litter pink, or not so white, in this case, the SLX bits can be used to adjust the single IOUTx of some output and make it pure white color. We call this SL bits another name: white balance registers.

### PWM CONTROL

The PWM Registers (01h~48h) can modulate LED brightness of 18 channels with 256/1024/4096/65536 steps. For example, if the data in PWM\_H Register is "0000 0000" and in PWM\_L Register is "0000 0100", then the PWM is the fourth step.

Writing new data continuously to the registers can modulate the brightness of the LEDs to achieve a breathing effect.

### PWM FREQUENCY SELECT

The IS31FL3238 output channels operate with a default 8 bit PWM resolution and the PWM frequency of 62kHz (the oscillator frequency is 16MHz). Because all the OUTx channels are synchronized, the DC power supply will experience large instantaneous current

surges when the OUTx channels turn ON. These current surges will generate an AC ripple on the power supply which cause stress to the decoupling capacitors. When the AC ripple is applied to a monolithic ceramic capacitor chip (MLCC) it will expand and contract causing the PCB to flex and generate audible hum in the range of between 300Hz to 18kHz, To avoid this hum, there are many countermeasures, such as selecting the capacitor type and value which will not cause the PCB to flex and contract.

An additional option for avoiding audible hum is to set the IS31FL3238's output PWM frequency above/below the audible range. The Output Frequency Setting Register (00h) can be used to set the switching frequency to 122Hz~62kHz as shown in Table 4, some combine setting of the OSC and PMS bits will get different output PWM frequency, and higher than 20kHz or lower than 300Hz is out of the audible range.

### OPEN/SHORT DETECT FUNCTION

IS31FL3238 has open and short detect bit for each LED.

By setting the OSDE bit of Open Short Detect Enable Register (71h) from "00" to "10" (store short information) or "11" (store open information), the LED Open/Short Register will store the open/short information immediately the MCU can get the open/short information by reading the 72h~76h.

The Global Current Control Register (6Eh) needs to set to 0x01 in order to get the right open/short data.

### SPREAD SPECTRUM FUNCTION

A switch mode controller can be particularly troublesome for application when the EMI is concerned. To optimize the EMI performance, the IS31FL3238 includes a spread spectrum function. By setting the RNG bit of Spread Spectrum Register (78h), Spread Spectrum range can be choose from ±5% /±15% /±24% /±34%. The spread spectrum can spread the total electromagnetic emitting energy into a wider range that significantly degrades the peak energy of EMI. With the spread spectrum, the EMI test can be easy to be passed with smaller size and lower cost filter circuit.

### OPERATING MODE

#### PWM Mode

IS31FL3238 can only operate in PWM Mode. The brightness of each LED can be modulated with 256/1024/4096/65536 steps by PWM registers. For example, if the data in PWMA and PWMB Register are "0000 0100", then the PWM is the fourth step.

# IS31FL3238

---

Writing new data continuously to the registers can modulate the brightness of the LEDs to achieve a breathing effect.

## SHUTDOWN MODE

Shutdown mode can be used as a means of reducing power consumption. During shutdown mode all registers retain their data.

### Software Shutdown

By setting SSD bit of the Control Register (00h) to “0”, the IS31FL3238 will operate in software shutdown mode. When the IS31FL3238 is in software shutdown, all current sources are switched off, so that the LEDs are blanked. All registers can be operated. Typical current consume is 3 $\mu$ A.

### Hardware Shutdown

The chip enters hardware shutdown when the SDB pin is pulled low. All analog circuits are disabled during hardware shutdown, typical the current consume is 3 $\mu$ A.

The chip releases hardware shutdown when the SDB pin is pulled high. When set SDB high, the rising edge

will reset the I2C module, but the register information retains. During hardware shutdown state Function Register can be operated.

If VCC has risk drop below 1.75V but above 0.1V during SDB pulled low, please re-initialize all Function Registers before SDB pulled high.

## LAYOUT

As described in external resistor ( $R_{EXT}$ ), the chip consumes lots of power. Please consider below factors when layout the PCB.

1. The VCC (PVCC, AVCC) capacitors need to close to the chip and the ground side should well connect to the GND of the chip.
2.  $R_{EXT}$  should be close to the chip and the ground side should well connect to the GND of the chip.
3. The thermal pad should connect to ground pins and the PCB should have the thermal pad too, usually this pad should have 16 or 25 via thru the PCB to other side's ground area to help radiate the heat. About the thermal pad size, please refer to the land pattern of each package.

# IS31FL3238

## CLASSIFICATION REFLOW PROFILES

Profile Feature	Pb-Free Assembly
<b>Preheat &amp; Soak</b> Temperature min (T <sub>smn</sub> ) Temperature max (T <sub>smax</sub> ) Time (T <sub>smn</sub> to T <sub>smax</sub> ) (t <sub>s</sub> )	150°C 200°C 60-120 seconds
Average ramp-up rate (T <sub>smax</sub> to T <sub>p</sub> )	3°C/second max.
Liquidous temperature (T <sub>L</sub> ) Time at liquidous (t <sub>L</sub> )	217°C 60-150 seconds
Peak package body temperature (T <sub>p</sub> )*	Max 260°C
Time (t <sub>p</sub> )** within 5°C of the specified classification temperature (T <sub>c</sub> )	Max 30 seconds
Average ramp-down rate (T <sub>p</sub> to T <sub>smax</sub> )	6°C/second max.
Time 25°C to peak temperature	8 minutes max.

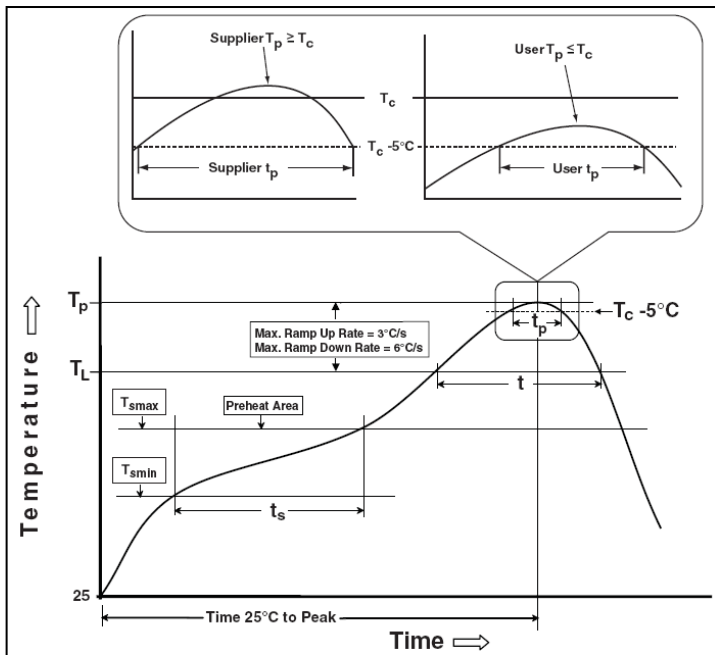


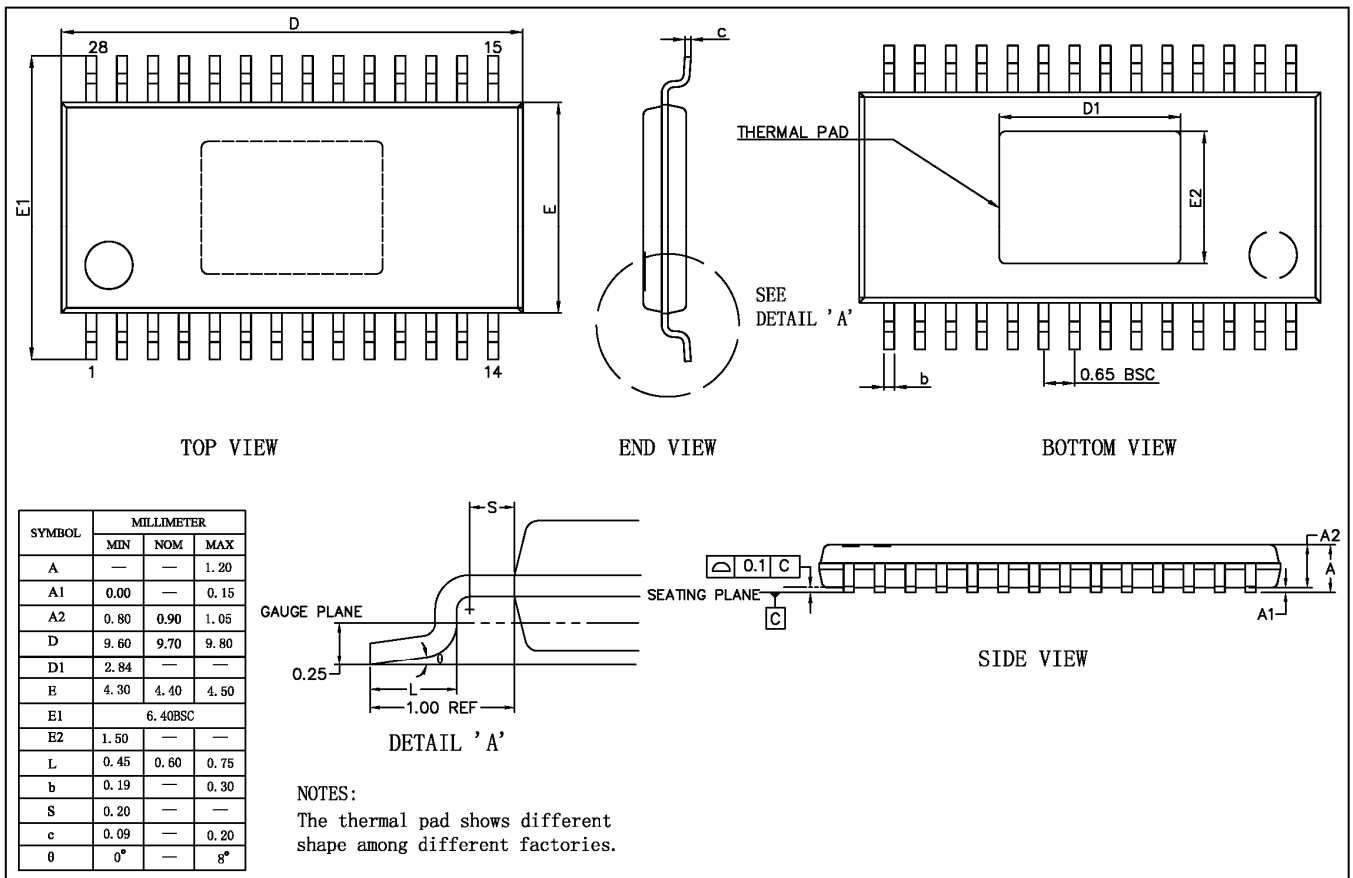
Figure 7 Classification Profile





# IS31FL3238

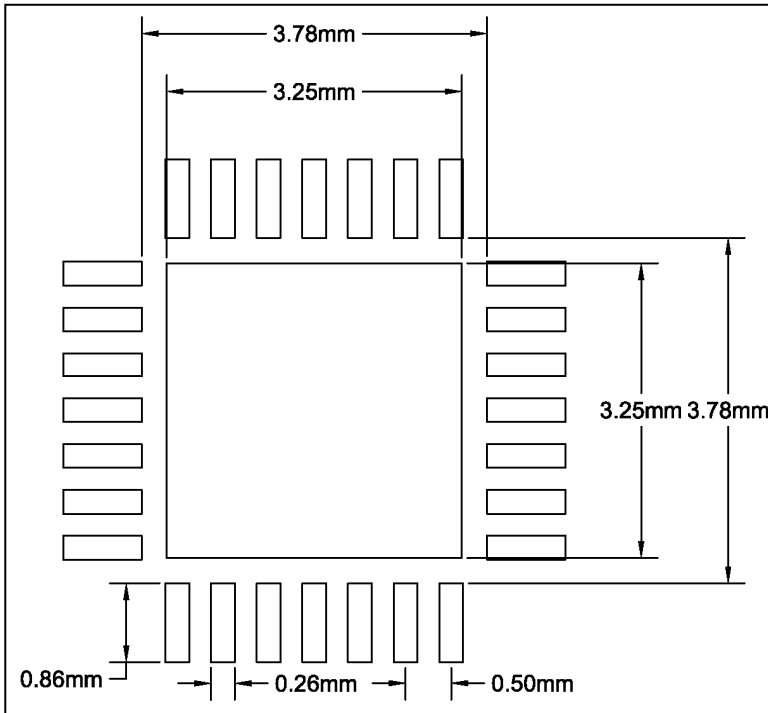
## eTSSOP-28



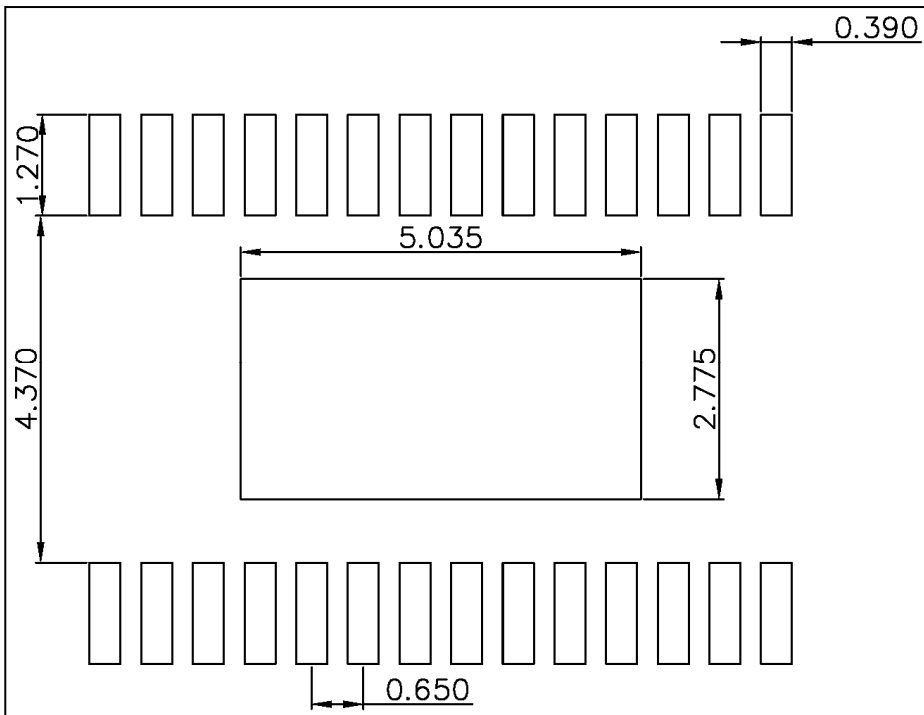
# IS31FL3238

## RECOMMENDED LAND PATTERN

### WFQFN-28



### eTSSOP-28



**Note:**

1. Land pattern complies to IPC-7351.
2. All dimensions in MM.
3. This document (including dimensions, notes & specs) is a recommendation based on typical circuit board manufacturing parameters. Since land pattern design depends on many factors unknown (eg. User's board manufacturing specs), user must determine suitability for use.



# IS31FL3238

## REVISION HISTORY

Revision	Detail Information	Date
0A	Initial release.	2018.04.02