

# IS32LT3170 10-TO-150mA CONSTANT-CURRENT LED DRIVER

## DESCRIPTION

The IS32LT3170 is adjustable constant current linear devices with excellent temperature stability. A single resistor is all that is required to set the operating current from 10mA to 150mA. The devices can operate from an input voltage from 5V to 42V with minimal voltage headroom of 0.6V. Designed with a low dropout voltage; the device can drive LED strings close to the supply voltage.

As a current sink, it is ideal for automotive LED lighting applications or as power supply current limiters.

## FEATURES

- Low-side current sink
  - Current preset to 10mA
  - Adjustable from 10mA to 150mA with external resistor selection
- Wide input voltage  
5V to 42V
- Up to 1W power dissipation in a small SOT23-6 package
- RoHS compliant (Pb-free) package
- Automotive AEC-Q100 qualified (pending)
- Operating temperature range from -40°C ~ +125°C

## QUICK START



Figure 1: Photo of IS32LT3170 Evaluation Board

## RECOMMENDED EQUIPMENT

- 42V, 500mA DC variable power supply
- 3 HBLEDs connected as a serial string

## ABSOLUTE MAXIMUM RATINGS

- ≤ 42V input voltage

**Caution: Do not exceed the conditions listed above, otherwise the board will be damaged.**

## PROCEDURE

The IS32LT3170 evaluation board is fully assembled and tested. Follow the steps listed below to verify board operation.

**Caution: Do not turn on the power supply until all connections are completed.**

- 1) Connect the ground terminal of the power supply to the GND (TP3) and the positive terminal to the VCC (TP1). Connect the Anode of an external LED string to LED+ (TP4) and its Cathode to LED- (TP5).
- 2) The evaluation board supports eight current levels, selected by JP1, JP2, JP3, see table below. The test point REXT can be used to add an external resistor. The final resistance can be measured with an ohm meter across REXT and GND (TP6) pins. For jumpers (JP1~JP3) Closed=1 and Open=0.

JP1	JP2	JP3	R <sub>EXT</sub> (Ω)
0	0	0	-
0	0	1	100
0	1	0	15
0	1	1	13
1	0	0	8.2
1	0	1	7.6
1	1	0	5.3
1	1	1	5.0

- 3) The 0Ω resistor R4 is installed to connect the EN pin directly to VCC. **Caution: DO NOT** apply a PWM signal to EN pin, otherwise the PWM source may be damaged.

**ORDERING INFORMATION**

Part No.	Temperature Range	Package
IS32LT3170-STLA3-EB	-40°C ~ +125°C (Automotive)	SOT-23-6, Lead-free

*Table 1: Ordering Information*

For pricing, delivery, and ordering information, please contact ISSI's analog marketing team at [analog@issi.com](mailto:analog@issi.com) or (408) 969-6600

**EVALUATION BOARD OPERATION**

IS32LT3170 evaluation board drives one string of WLEDs. There are three resistors used for adjusting the output current.

**OUTPUT CURRENT SETTING**

IS32LT3170 provides an easy constant current sink solution for LED lighting applications. It uses an external resistor to adjust the LED current from 10mA to 150mA. The LED current can be determined by the Equation (1):

$$I_{SET} = 10 \times \frac{(R_{INT} + R_{EXT})}{R_{EXT}} \quad (1)$$

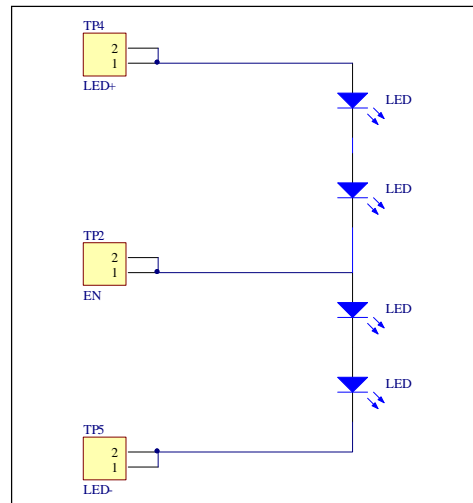
Where  $R_{INT}$  (106Ω, Typ.) is the device internal resistor and  $R_{EXT}$  is the external resistor.

Paralleling a low tolerance resistor  $R_{EXT}$  with the internal resistor  $R_{INT}$  will improve the overall accuracy of the current sense resistance. The resulting output current will vary slightly lower due to the negative temperature coefficient (NTC) resulting from the self heating of the IS32LT3170.

**HIGH INPUT VOLTAGE APPLICATION**

When driving a long string of LEDs whose total forward voltage drop exceeds the IS32LT3170's limit of 42V, it is recommended to stack several LEDs between the EN (TP2) and the LED- (TP5) such that the total forward voltage drop of the stacked LEDs maintains the EN (TP2) voltage >5V and <42V. The remaining string of LEDs can then be placed between LED+ (TP4) and EN (TP2), (Figure 3). The number of stacked LEDs at the EN pin will be limited by the LED's total forward voltage drop (VF) and the supply voltage.

**Caution:** the 0Ω resistor R4 installed on the IS32LT3170 evaluation board must first be removed.



**Figure 2: High Input Voltage Application Circuit**

# IS32LT3170 10-TO-150mA CONSTANT-CURRENT LED DRIVER

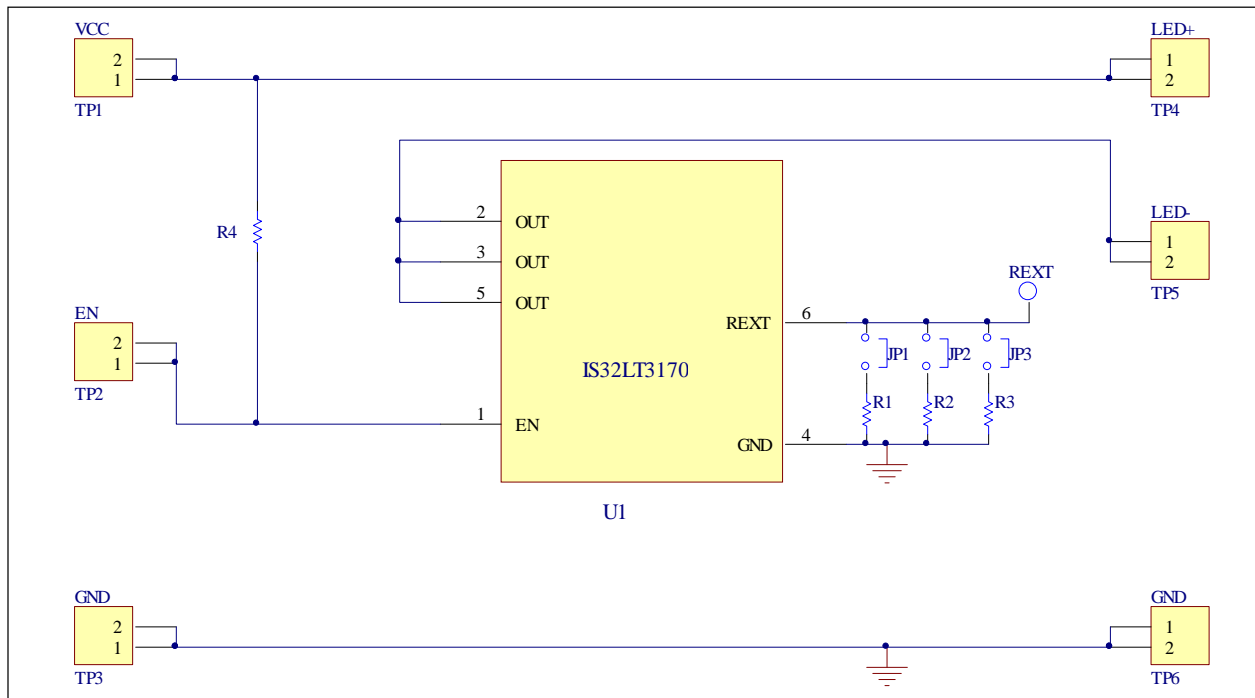
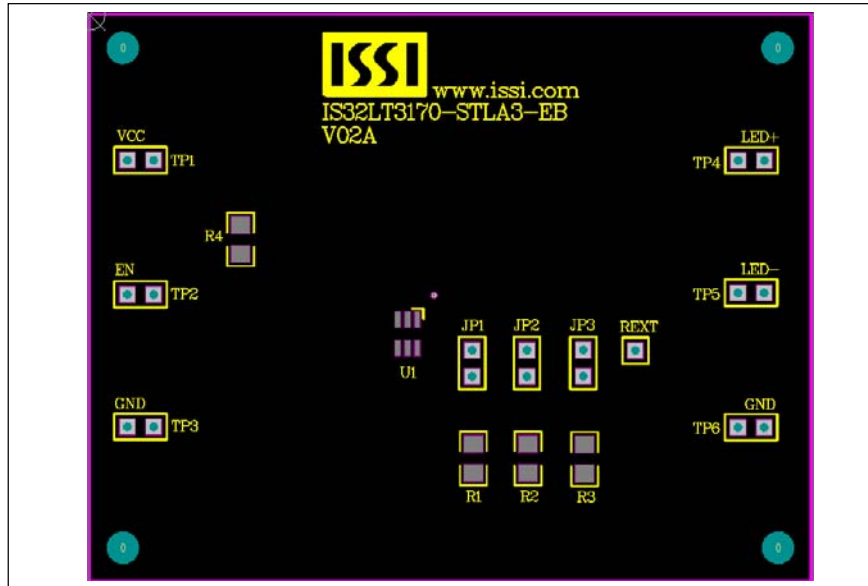


Figure 3: IS32LT3170 Application Schematic

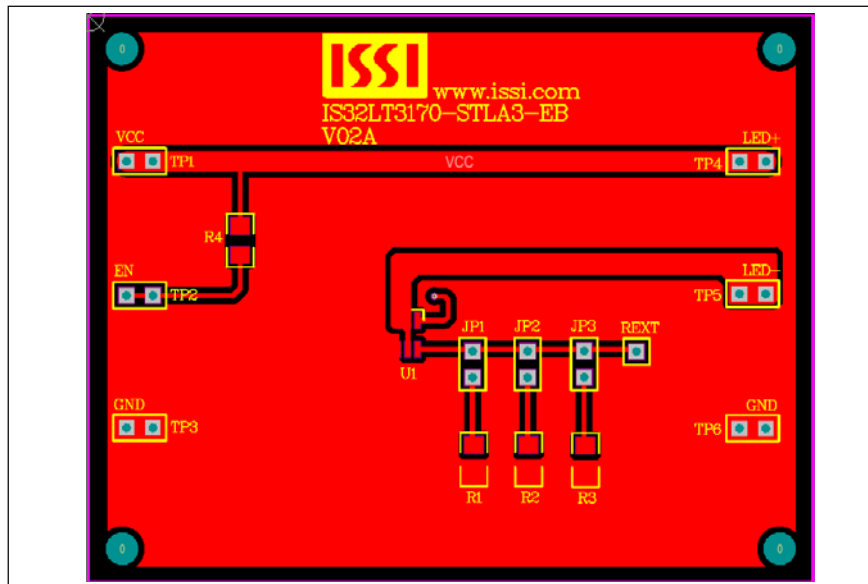
## BILL OF MATERIALS

Name	Symbol	Description	Qty	Supplier	Part No.
LED Driver	U1	LED Driver	1	ISSI	IS32LT3170
Resistor	R1	RES,8R2,1/8W,±1%,SMD	1	YAGEO	RC0805FR-078R2L
Resistor	R2	RES,15R,1/8W,±1%,SMD	1	YAGEO	RC0805FR-0715RL
Resistor	R3	RES,100R,1/8W,±1%,SMD	1	YAGEO	RC0805FR-07100RL
Resistor	R4	RES,0ohm,1/8W,±5%,SMD	1	YAGEO	RL0805JR-0700RL
Jumper	JP1~JP3	Jumper	3		
Test Terminal	TP1~TP6	Test terminal	6		

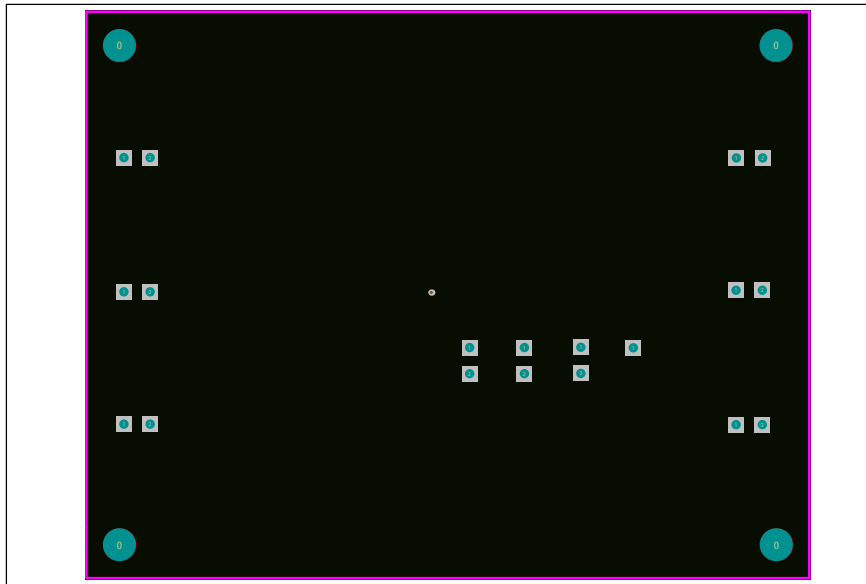
Bill of materials, refer to Figure 3 above.



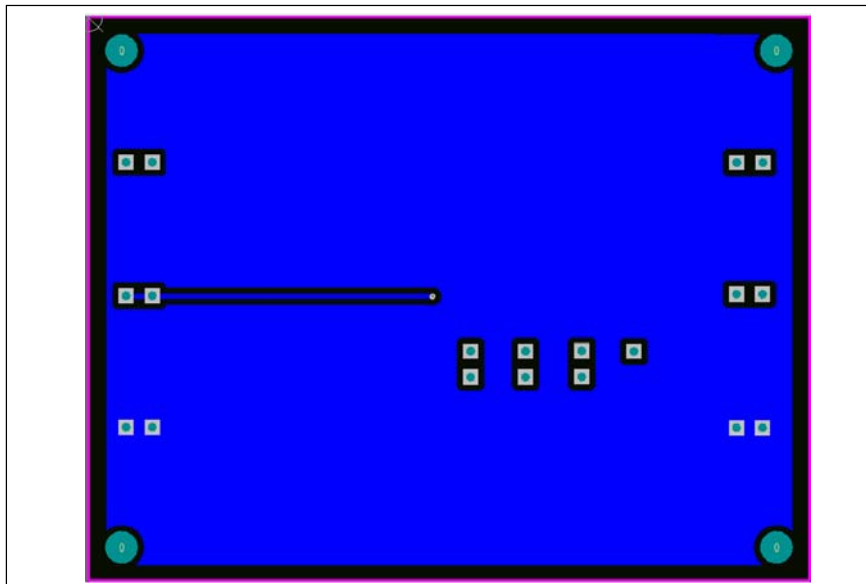
*Figure 4: Board Component Placement Guide - Top Layer*



*Figure 5: Board PCB Layout - Top Layer*



**Figure 5: Board Component Placement Guide - Bottom Layer**



**Figure 6: Board PCB Layout - Bottom Layer**

Copyright © 2016 Integrated Silicon Solution, Inc. All rights reserved. ISSI reserves the right to make changes to this specification and its products at any time without notice. ISSI assumes no liability arising out of the application or use of any information, products or services described herein. Customers are advised to obtain the latest version of this device specification before relying on any published information and before placing orders for products.

Integrated Silicon Solution, Inc. does not recommend the use of any of its products in life support applications where the failure or malfunction of the product can reasonably be expected to cause failure of the life support system or to significantly affect its safety or effectiveness.

Products are not authorized for use in such applications unless Integrated Silicon Solution, Inc. receives written assurance to its satisfaction, that:

- a.) the risk of injury or damage has been minimized;
- b.) the user assume all such risks; and
- c.) potential liability of Integrated Silicon Solution, Inc is adequately protected under the circumstances