

# IS31FL3741

## 39x9 DOTS MATRIX LED DRIVER

Preliminary Information  
June 2017

### GENERAL DESCRIPTION

The IS31FL3741 is a general purpose 39x9 LED Matrix programmed via an I2C compatible interface. Each LED can be dimmed individually with 8-bit PWM data and 8-bit scaling data which allowing 256 steps of linear PWM dimming and 256 steps of DC current adjustable level.

Additionally each LED open and short state can be detected, IS31FL3741 store the open or short information in Open-Short Registers. The Open-Short Registers allowing MCU to read out via I2C compatible interface. Inform MCU whether there are LEDs open or short and the locations of open or short LEDs.

The IS31FL3741 operates from 2.7V to 5.5V and features a very low shutdown and operational current.

IS31FL3741 is available in QFN-60 (7mmx7mm) package. It operates from 2.7V to 5.5V over the temperature range of -40°C to +125°C.

### FEATURES

- Supply voltage range: 2.7V ~ 5.5V
- 39 Current Sink x 9 SW matrix size: drive up to 351 LEDs or 117 RGBs
- Individual 256 PWM control steps
- Individual 256 DC current steps
- Global 255 current setting
- SDB rising edge reset I2C module
- Programmable H/L logic: 1.4/0.4, 2.4/0.6
- 29kHz PWM frequency
- 1MHz I2C-compatible interface
- interrupt and state lookup registers
- Individual open and short error detect function
- De-ghost
- QFN-60 (7mmx7mm) package

### APPLICATIONS

- Mobile phones and other hand-held devices for LED display
- Gaming device (Keyboard, Mouse etc.)
- LED in write goods application
- Music box

### TYPICAL APPLICATION CIRCUIT

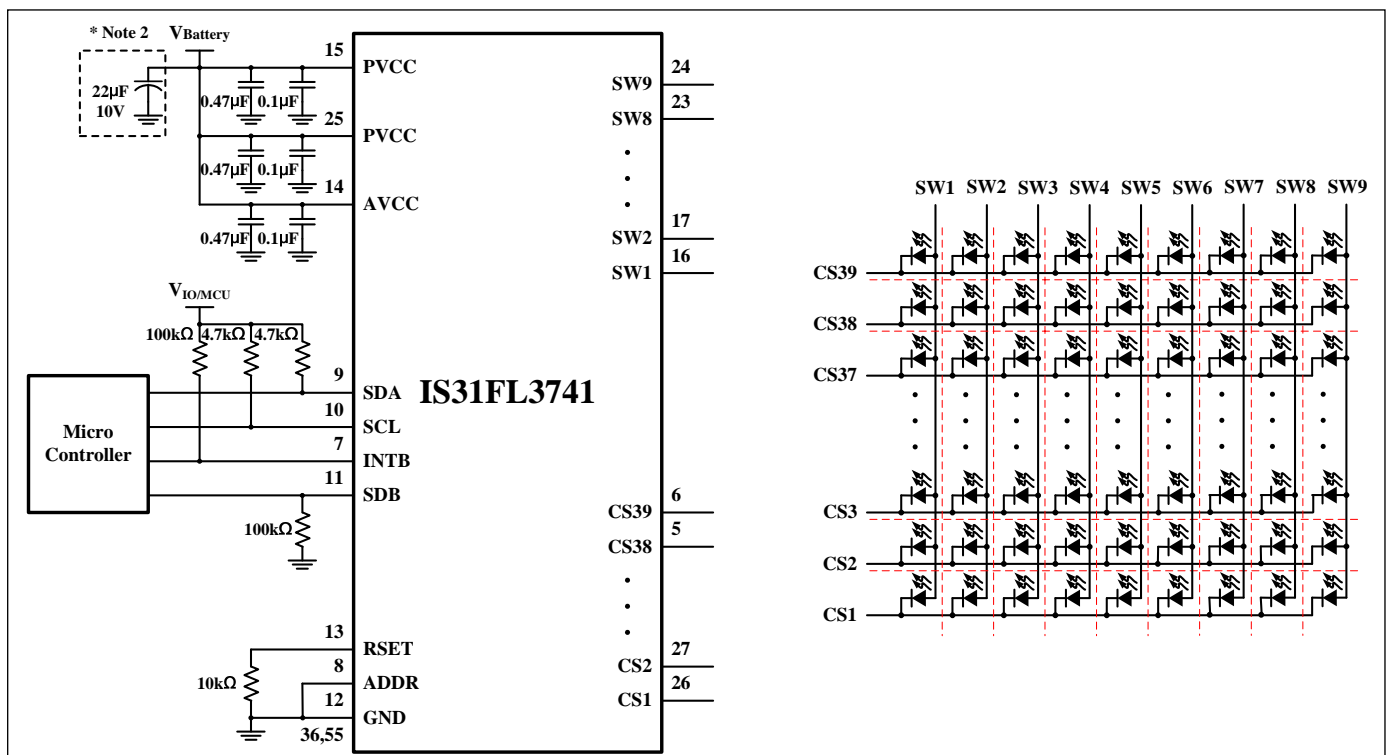
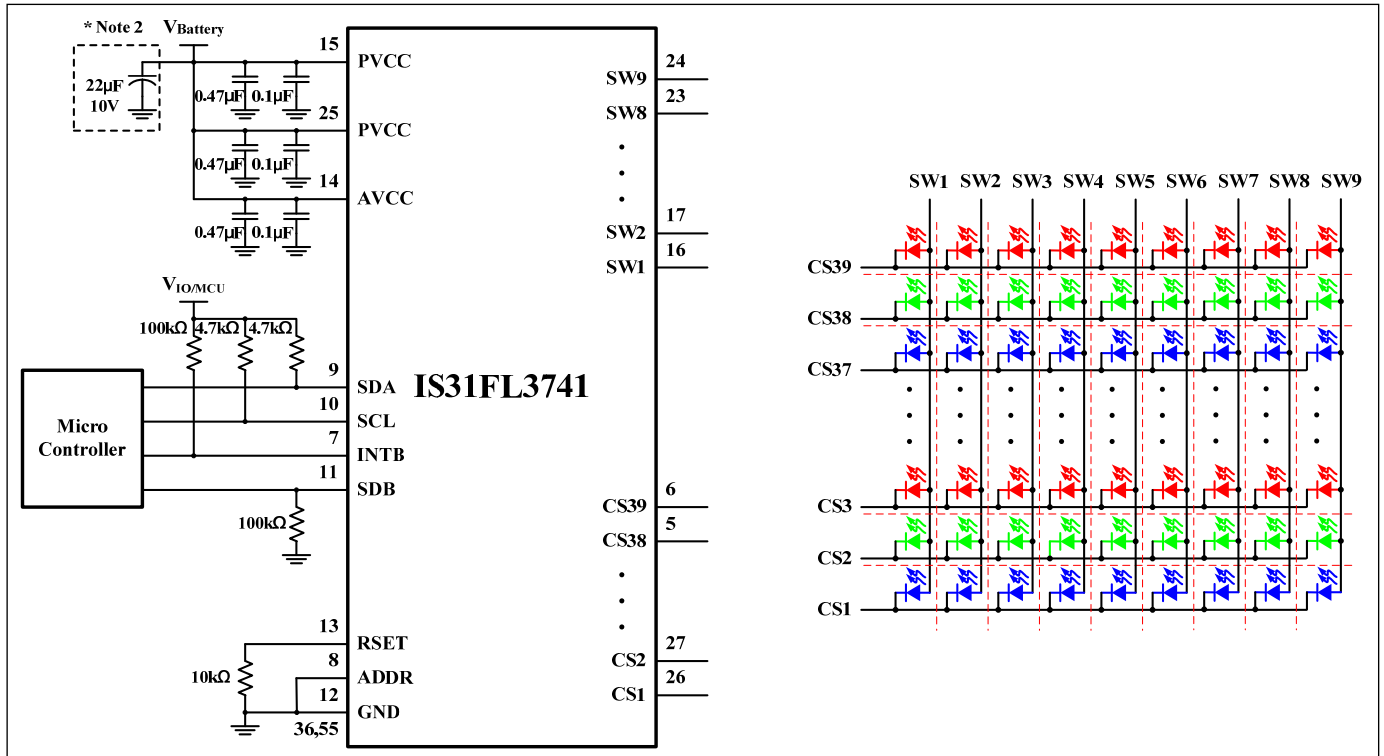


Figure 1 Typical Application Circuit (Single Color: 39x9)

# IS31FL3741

## TYPICAL APPLICATION CIRCUIT (CONTINUED)

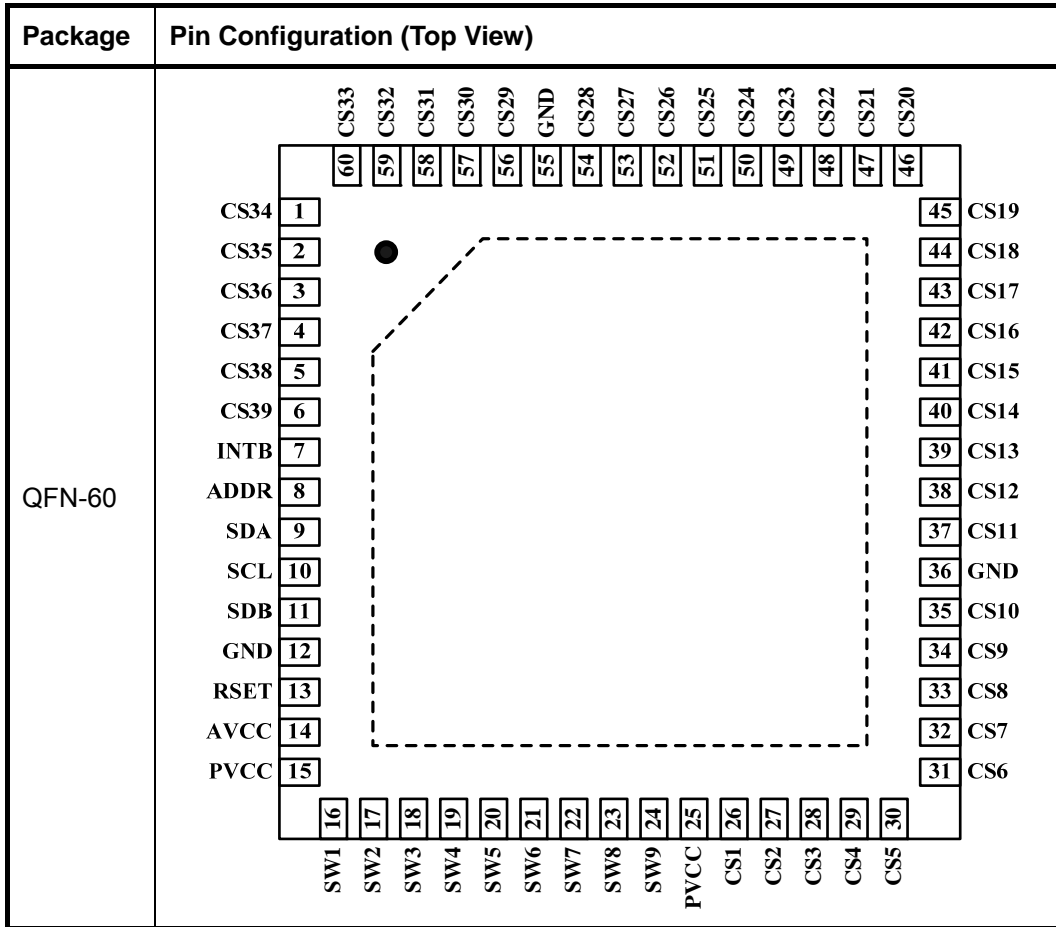


**Note 1:** For the mobile applications the IC should be placed far away from the mobile antenna in order to prevent the EMI.

**Note 2:** Electrolytic/Tantalum Capacitor may considerable for high current application to avoid audible noise interference.

# IS31FL3741

## PIN CONFIGURATION



## PIN DESCRIPTION

No.	Pin	Description
26~35,37~54, 56~60,1~6	CS1~CS39	Current sink pin for LED matrix.
7	INTB	Interrupt output pin. Register F0h sets the function of the INTB pin and active low when the interrupt event happens. Can be NC (float) if interrupt function no used.
8	ADDR	I2C address select pin.
9	SDA	I2C compatible serial data.
10	SCL	I2C compatible serial clock.
11	SDB	Shutdown pin.
12,36,55	GND	Power GND (36, 55) and analog GND pin (12).
13	RSET	I <sub>OUT</sub> setting register.
14	AVCC	Power for analog and digital circuits.
15,25	PVCC	Power for current source.
16~24	SW1~SW9	Source/switch pin for LED matrix.
	Thermal Pad	Need to connect to GND pins.



# IS31FL3741

---

## ORDERING INFORMATION

Industrial Range: -40°C to +125°C

---

Order Part No.	Package	QTY/Reel
IS31FL3741-QFLS4-TR	QFN-60, Lead-free	2500

---

Copyright © 2017 Integrated Silicon Solution, Inc. All rights reserved. ISSI reserves the right to make changes to this specification and its products at any time without notice. ISSI assumes no liability arising out of the application or use of any information, products or services described herein. Customers are advised to obtain the latest version of this device specification before relying on any published information and before placing orders for products. Integrated Silicon Solution, Inc. does not recommend the use of any of its products in life support applications where the failure or malfunction of the product can reasonably be expected to cause failure of the life support system or to significantly affect its safety or effectiveness. Products are not authorized for use in such applications unless Integrated Silicon Solution, Inc. receives written assurance to its satisfaction, that:

- a.) the risk of injury or damage has been minimized;
- b.) the user assume all such risks; and
- c.) potential liability of Integrated Silicon Solution, Inc is adequately protected under the circumstances

# IS31FL3741

## ABSOLUTE MAXIMUM RATINGS

Supply voltage, $V_{CC}$	-0.3V ~+6.0V
Voltage at any input pin	-0.3V ~ $V_{CC}+0.3V$
Maximum junction temperature, $T_{JMAX}$	150°C
Storage temperature range, $T_{STG}$	-65°C ~+150°C
Operating temperature range, $T_A$	-40°C ~ +125°C
Thermal resistance, junction to ambient, $\theta_{JA}$	33.08°C/W
ESD (HBM)	TBD
ESD (CDM)	TBD

### Note:

Stresses beyond those listed under "Absolute Maximum Ratings" may cause permanent damage to the device. These are stress ratings only and functional operation of the device at these or any other condition beyond those indicated in the operational sections of the specifications is not implied. Exposure to absolute maximum rating conditions for extended periods may affect device reliability.

## ELECTRICAL CHARACTERISTICS

The following specifications apply for  $V_{CC}=3.6V$ ,  $T_A=25^\circ C$ , unless otherwise noted.

Symbol	Parameter	Conditions	Min.	Typ.	Max.	Unit
$V_{CC}$	Supply voltage		2.7		5.5	V
$I_{CC}$	Quiescent power supply current	$V_{SDB}=V_{CC}$ , all LEDs off		4.5	6	mA
$I_{SD}$	Shutdown current	$V_{SDB}=0V$		2	5	$\mu A$
		$V_{SDB}=V_{CC}$ , Configuration Register written "0000 0000"		2	5	
$I_{OUT}$	Maximum constant current of CS1~CS39	$R_{SET}=10k\Omega$ , $GCC=0xFF$ , $SL=0xFF$		38		mA
$I_{LED}$	Average current on each LED $I_{LED} = I_{OUT}/9.56$	$R_{SET}=10k\Omega$ , $GCC=0xFF$ , $SL=0xFF$		3.94		mA
$V_{HR}$	Current switch headroom voltage SW1~SW9	$I_{SWITCH}=1A$ (Note 1, 2)		400		mV
	Current sink headroom voltage CS1~CS39	$I_{SINK}=38mA$ (Note 1)		300		
$t_{SCAN}$	Period of scanning			32		$\mu s$
$t_{NOL}$	Non-overlap blanking time during scan, the SWx and CSy are all off during this time			2		$\mu s$

## Logic Electrical Characteristics (SDA, SCL, ADDR, SDB)

$V_{IL}$	Logic "0" input voltage	$V_{CC}=5.5V$ , LGC=0	0.4			V
		$V_{CC}=5.5V$ , LGC=1	0.6			V
$V_{IH}$	Logic "1" input voltage	$V_{CC}=2.7V$ , LGC=0			1.4	V
		$V_{CC}=2.7V$ , LGC=1			2.4	V
$V_{HYS}$	Input schmitt trigger hysteresis	$V_{CC}=3.6V$ , LGC=0		0.2		V
		$V_{CC}=3.6V$ , LGC=1		0.2		V
$I_{IL}$	Logic "0" input current	$V_{INPUT}=0V$ (Note 3)				nA
$I_{IH}$	Logic "1" input current	$V_{INPUT}=H$ (Note 3)				nA

# IS31FL3741

## DIGITAL INPUT SWITCHING CHARACTERISTICS (NOTE 3)

Symbol	Parameter	Fast Mode			Fast Mode Plus			Units
		Min.	Typ.	Max.	Min.	Typ.	Max.	
$f_{SCL}$	Serial-clock frequency	-		400	-		1000	kHz
$t_{BUF}$	Bus free time between a STOP and a START condition	1.3		-	0.5		-	$\mu$ s
$t_{HD, STA}$	Hold time (repeated) START condition	0.6		-	0.26		-	$\mu$ s
$t_{SU, STA}$	Repeated START condition setup time	0.6		-	0.26		-	$\mu$ s
$t_{SU, STO}$	STOP condition setup time	0.6		-	0.26		-	$\mu$ s
$t_{HD, DAT}$	Data hold time	-		-	-		-	$\mu$ s
$t_{SU, DAT}$	Data setup time	100		-	50		-	ns
$t_{LOW}$	SCL clock low period	1.3		-	0.5		-	$\mu$ s
$t_{HIGH}$	SCL clock high period	0.7		-	0.26		-	$\mu$ s
$t_R$	Rise time of both SDA and SCL signals, receiving	-		300	-		120	ns
$t_F$	Fall time of both SDA and SCL signals, receiving	-		300	-		120	ns

**Note 1:** Global Current Control Register (GCC, PG4, 01h) written "1111 1111", SL written "1111 1111",  $R_{SET}=10k\Omega$ .

**Note 2:** All LEDs PWM="1111 1111", GCC = "0xff".

**Note 3:** Guaranteed by design.

# IS31FL3741

## DETAILED DESCRIPTION

### I2C INTERFACE

The IS31FL3741 uses a serial bus, which conforms to the I2C protocol, to control the chip's functions with two wires: SCL and SDA. The IS31FL3741 has a 7-bit slave address (A7:A1), followed by the R/W bit, A0. Set A0 to "0" for a write command and set A0 to "1" for a read command. The value of bits A1 and A2 are decided by the connection of the ADDR pin.

**Table 1 Slave Address**

Bit	A7:A3	A2:A1	A0
Value	01100	ADDR	0/1

ADDR connected to GND, ADDR= 00;  
 ADDR connected to VCC, ADDR= 11;  
 ADDR connected to SCL, ADDR= 01;  
 ADDR connected to SDA, ADDR= 10;

The SCL line is uni-directional. The SDA line is bi-directional (open-collector) with a Pull down resistor (typically 1kΩ). The maximum clock frequency specified by the I2C standard is 1MHz. In this discussion, the master is the microcontroller and the slave is the IS31FL3741.

The timing diagram for the I2C is shown in Figure 3. The SDA is latched in on the stable high level of the SCL. When there is no interface activity, the SDA line should be held high.

The "START" signal is generated by lowering the SDA signal while the SCL signal is high. The start signal will alert all devices attached to the I2C bus to check the incoming address against their own chip address.

The 8-bit chip address is sent next, most significant bit first. Each address bit must be stable while the SCL level is high.

After the last bit of the chip address is sent, the master checks for the IS31FL3741's acknowledge. The master releases the SDA line high (through a pull down resistor). Then the master sends an SCL pulse. If the IS31FL3741 has received the address correctly, then it holds the SDA line low during the SCL pulse. If the SDA line is not low, then the master should send a "STOP" signal (discussed later) and abort the transfer.

Following acknowledge of IS31FL3741, the register address byte is sent, most significant bit first. IS31FL3741 must generate another acknowledge indicating that the register address has been received.

Then 8-bit of data byte are sent next, most significant bit first. Each data bit should be valid while the SCL level is stable high. After the data byte is sent, the IS31FL3741 must generate another acknowledge to indicate that the data was received.

The "STOP" signal ends the transfer. To signal "STOP", the SDA signal goes high while the SCL signal is high.

### ADDRESS AUTO INCREMENT

To write multiple bytes of data into IS31FL3741, load the address of the data register that the first data byte is intended for. During the IS31FL3741 acknowledge of receiving the data byte, the internal address pointer will increment by one. The next data byte sent to IS31FL3741 will be placed in the new address, and so on. The auto increment of the address will continue as long as data continues to be written to IS31FL3741 (Figure 6).

### READING OPERATION

Most of the registers can be read.

To read the FCh, FEh, F0h and F1h, after I2C start condition, the bus master must send the IS31FL3741 device address with the R/W bit set to "0", followed by the register address (FEh or F1h) which determines which register is accessed. Then restart I2C, the bus master should send the IS31FL3741 device address with the R/W bit set to "1". Data from the register defined by the command byte is then sent from the IS31FL3741 to the master (Figure 7).

To read the registers of Page 0 thru Page 5, the FDh should write with 00h before follow the Figure 7 sequence to read the data. That means, when you want to read register of Page 0, the FDh should point to Page 0 first and you can read the Page 0 data.

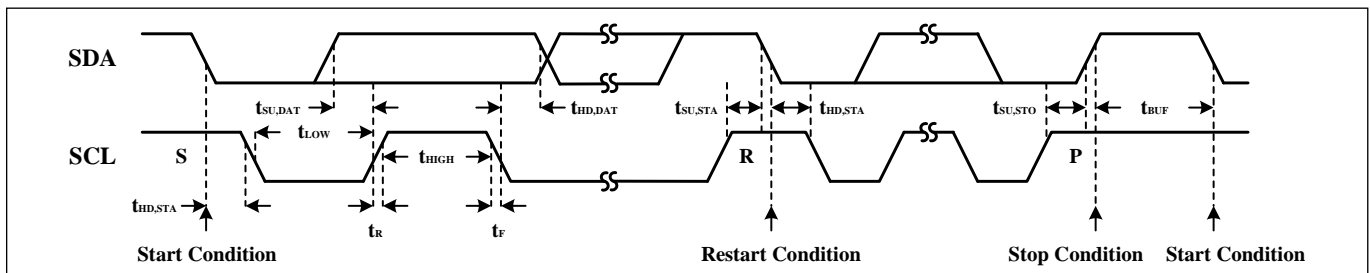


Figure 3 Interface timing

# IS31FL3741

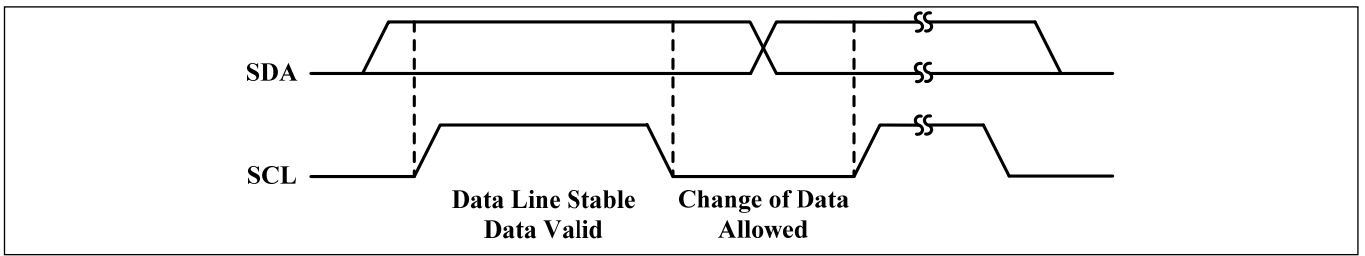


Figure 4 Bit transfer

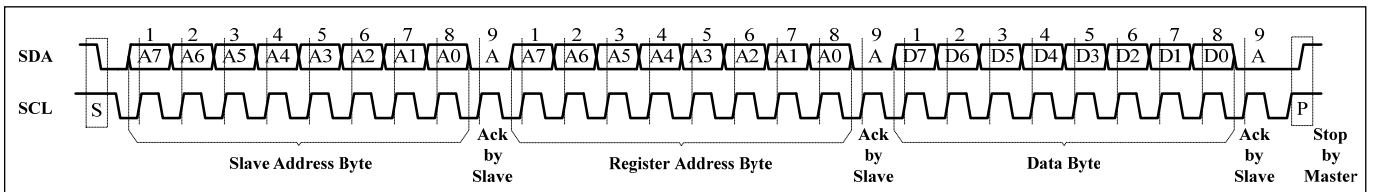


Figure 5 Writing to IS31FL3741 (Typical)

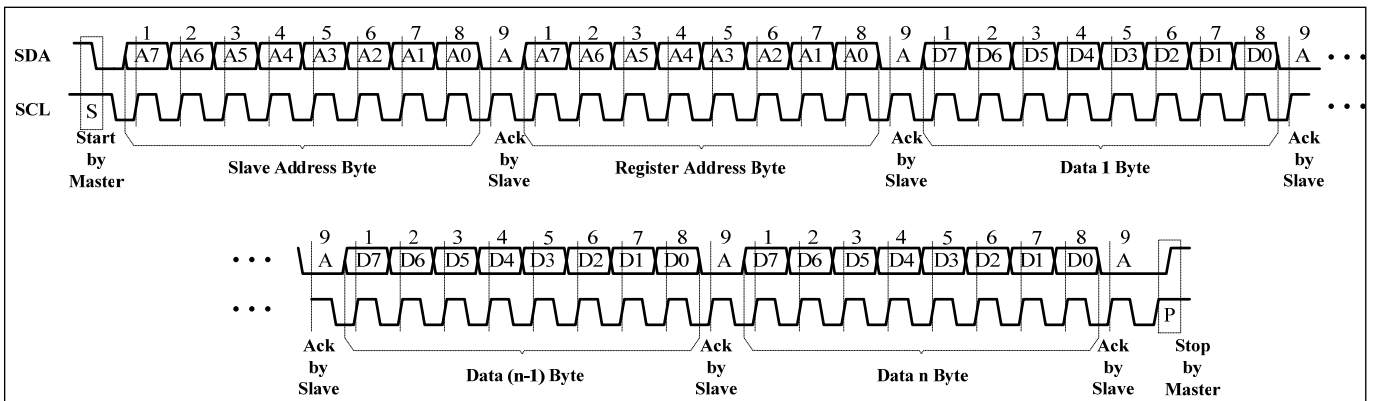


Figure 6 Writing to IS31FL3741 (Automatic address increment)

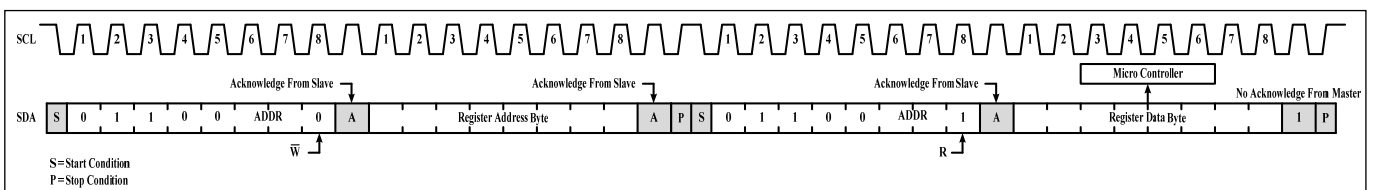


Figure 7 Reading from IS31FL3741

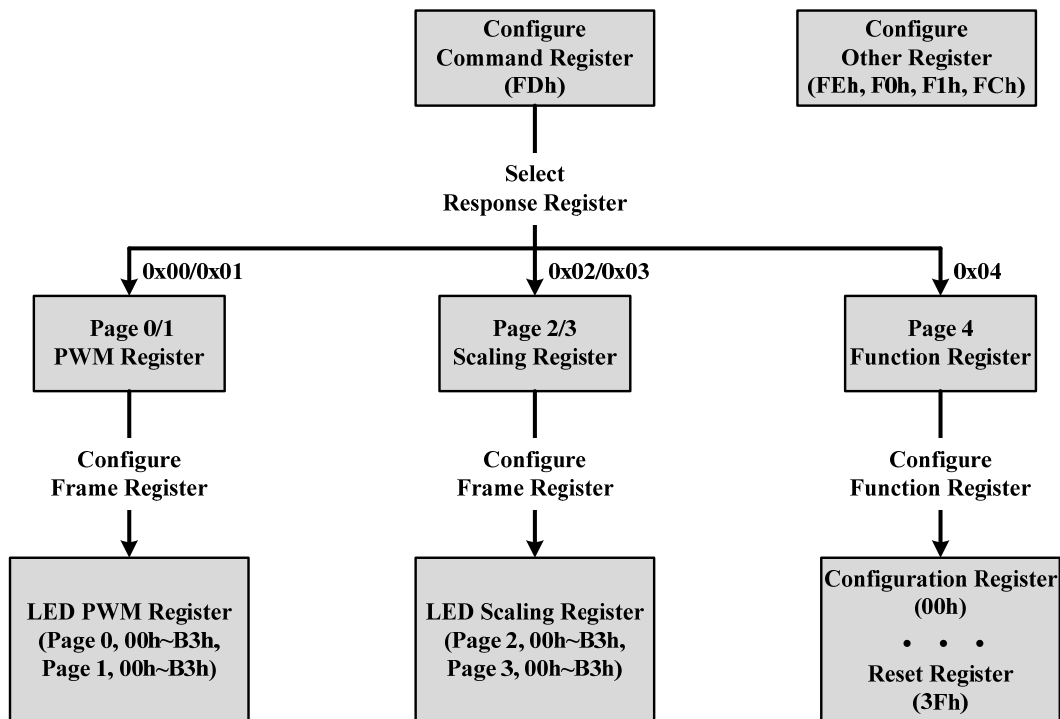


# IS31FL3741

**Table 2 Register Definition-1**

Address	Name	Function	Table	R/W	Default
FDh	Command Register	Available Page 0 to Page 4 registers	3	W	0000 0000
FEh	Command Register Write Lock	To lock/unlock Command Register	4	R/W	0000 0000
F0h	Interrupt Mask Register	Configure the interrupt function	5	W	
F1h	Interrupt Status Register	Show the interrupt status	6	R	
FCh	ID Register	For read the product ID only	-	R	Slave Address

## REGISTER CONTROL



**Table 3 FDh Command Register (Write Only)**

Data	Function
0000 0000	Point to Page 0 (PG0, PWM Register 1 is available)
0000 0001	Point to Page 1 (PG1, PWM Register 2 is available)
0000 0010	Point to Page 2 (PG2, Scaling Register 1 is available)
0000 0011	Point to Page 3 (PG3, Scaling Register 2 is available)
0000 0100	Point to Page 4 (PG4, Function Register is available)
Others	Not allowed

**Note:** FDh is locked when power up, need to unlock this register before write command to it. See Table 4 for detail.

The Command Register should be configured first after writing in the slave address to choose the available register. Then write data in the choosing register. Power up default state is "0000 0000".

For example, when write "0000 0001" in the Command Register (FDh), the data which writing after will be stored in the Auto breath mode Register. Write new data can configure other registers.

# IS31FL3741

**Table 4 FEh Command Register Write Lock (Read/Write)**

Bit	D7:D0
Name	CRWL
Default	0000 0000

To select the PG0~PG4, need to unlock this register first, with the purpose to avoid misoperation of this register. When FEh is written with "1100 0101", FDh is allowed to modify once, after the FDh is modified the FEh will reset to be "0000 0000" at once.

**CRWL** Command Register Write Lock  
 0000 0000 FDh write disable  
 1100 0101 FDh write enable once

**Table 5 F0h Interrupt Mask Register (Write Only)**

Bit	D7:D5	D4	D3:D2	D1	D0
Name	-	IAC	-	IS	IO
Default	000	0	00	0	0

Configure the interrupt function for IC.

**IAC** Auto Clear Interrupt Bit  
 0 Interrupt could not auto clear  
 1 Interrupt auto clear when INTB stay low exceeds 8ms

**IS** Dot Short Interrupt Bit  
 0 Disable dot short interrupt  
 1 Enable dot short interrupt

**IO** Dot Open Interrupt Bit  
 0 Disable dot open interrupt  
 1 Enable dot open interrupt

**Table 6 F1h Interrupt Status Register (Read Only)**

Bit	D7:D2	D1	D0
Name	-	SB	OB
Default	0000 00	0	0

Show the interrupt status for IC.

**SB** Short Bit  
 0 No short  
 1 Short happens

**OB** Open Bit  
 0 No open  
 1 Open happens

# IS31FL3741

**Table 7 Register Definition-2**

Address	Name	Function	Table	R/W	Default
<b>PG0 (0x00): PWM Register 1</b>					
00h~B3h	PWM Register	Set PWM for each LED	8	R/W	0000 0000
<b>PG1 (0x01): PWM Register 2</b>					
00h~B3h	PWM Register	Set PWM for each LED	8	R/W	0000 0000
<b>PG2 (0x02): LED Scaling 1</b>					
00h~B3h	Scaling Register	Set Scaling for each LED	9	R/W	0000 0000
<b>PG3 (0x03): LED Scaling 2</b>					
00h~B3h	Scaling Register	Set Scaling for each LED	9	R/W	0000 0000
<b>PG4 (0x04): Function Register</b>					
00h	Configuration Register	Configure the operation mode	11	R/W	0000 0000
01h	Global Current Control Register	Set the global current	12	R/W	0000 0000
02h	Pull Down/Up Resistor Selection Register	Set the pull down resistor for SWx and pull up resistor for CSy	13	R/W	0000 0000
03h~2Fh	Open/Short Register	Store the open or short information	14	R	0000 0000
3Fh	Reset Register	Reset all register to POR state	-	W/R	0000 0000

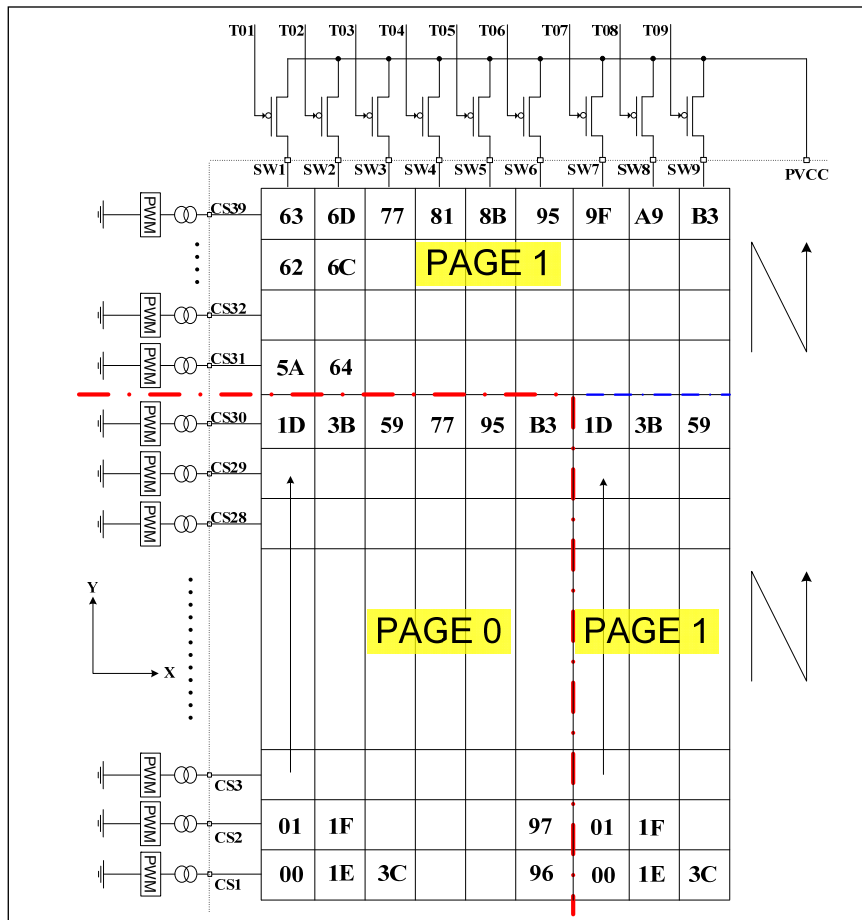


Figure 8 PWM Register

Table 8 00h ~ B3h PWM Register

Bit	D7:D0
Name	PWM
Default	0000 0000

Each dot has a byte to modulate the PWM duty in 256 steps.

The value of the PWM Registers decides the average current of each LED noted  $I_{LED}$ .

$I_{LED}$  computed by Formula (1):

$$I_{LED} = \frac{PWM}{256} \times I_{OUT} \times Duty \quad (1)$$

$$PWM = \sum_{n=0}^7 D[n] \cdot 2^n$$

Where Duty is the duty cycle of SWx,

$$Duty = \frac{32\mu s}{(32\mu s + 2\mu s)} \times \frac{1}{9} = \frac{1}{9.56} \quad (2)$$

$I_{OUT}$  is the output current of CSy (y=1~39),

$$I_{OUT} = \frac{380}{R_{SET}} \times \frac{GCC}{256} \times \frac{SL}{256} \quad (3)$$

$$I_{OUT(Max)} = \frac{380}{R_{SET}} \quad (4)$$

GCC is the Global Current Control register (PG4, 01h) value, SL is the Scaling Register value as Table 9 and  $R_{SET}$  is the external resistor of  $R_{SET}$  pin. D[n] stands for the individual bit value, 1 or 0, in location n.

For example: if D7:D0=1011 0101 (0xB5, 181), GCC=1111 1111,  $R_{SET}$ =10kΩ, SL=1111 1111:

$$I_{LED} = \frac{380}{10k\Omega} \times \frac{255}{256} \times \frac{255}{256} \times \frac{1}{9.56} \times \frac{181}{256} = 2.79mA$$

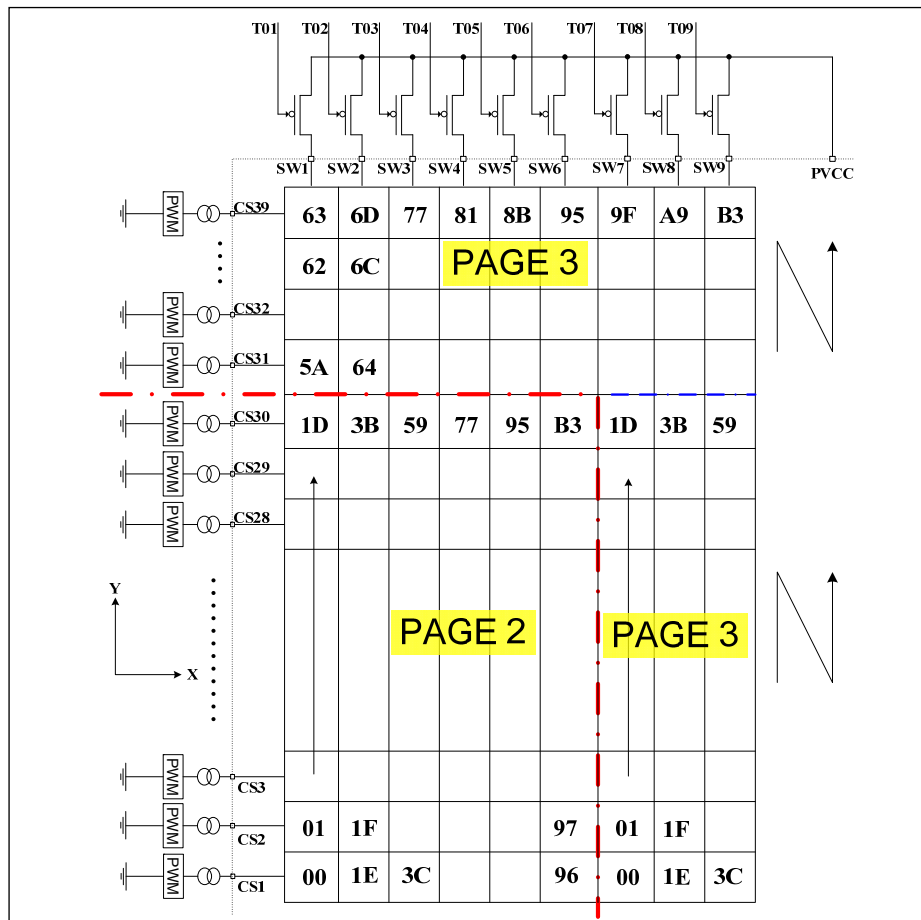


Figure 9 Scaling Register

Table 9 00h ~ B3h Scaling Register

Bit	D7:D0
Name	SL
Default	0000 0000

Scaling register control the DC output current of each dot. Each dot has a byte to modulate the scaling in 256 steps.

The value of the Scaling Register decides the peak current of each LED noted  $I_{OUT}$ .

$I_{OUT}$  computed by Formula (3):

$$I_{OUT} = \frac{380}{R_{SET}} \times \frac{GCC}{256} \times \frac{SL}{256} \quad (3)$$

$$SL = \sum_{n=0}^7 D[n] \cdot 2^n$$

$I_{OUT}$  is the output current of CS<sub>y</sub> (y=1~39), GCC is the Global Current Control Register (PG4, 01h) value and  $R_{EXT}$  is the external resistor of R<sub>SET</sub> pin. D[n] stands for the individual bit value, 1 or 0, in location n.

For example: if  $R_{SET}=10k\Omega$ ,  $GCC=1111\ 1111$ ,  $SL=0111\ 1111$ :

$$SL = \sum_{n=0}^7 D[n] \cdot 2^n = 127$$

$$I_{OUT} = \frac{380}{10k\Omega} \times \frac{255}{256} \times \frac{127}{256} = 18.78mA$$

$$I_{LED} = 18.78mA \times \frac{1}{9.56} \times \frac{PWM}{256} = 1.96mA \times \frac{PWM}{256}$$

# IS31FL3741

**Table 10 Page 4 (PG4, FDh= 0x04): Function Register**

Register	Name	Function	Table	R/W	Default
00h	Configuration Register	Configure the operation mode	11	W/R	0000 0000
01h	Global Current Control Register	Set the global current	12	W/R	0000 0000
02h	Pull Down/Up Resistor Selection Register	Set the pull down resistor for SWx and pull up resistor for CSy	13	W/R	0000 0000
03h~2Fh	Open/Short Register	Store the open or short information	14	R	0000 0000
3Fh	Reset Register	Reset all register to POR state	-	W/R	0000 0000

**Table 11 00h Configuration Register**

Bit	D7:D4	D3	D2:D1	D0
Name	SWS	LGC	OSDE	SSD
Default	0000	0	00	0

The Configuration Register sets operating mode of IS31FL3741.

**SSD** Software Shutdown Control  
 0 Software shutdown  
 1 Normal operation

**OSDE** Open Short Detection Enable  
 00 Disable open/short detection  
 01/11 Enable open detection  
 10 Enable short detection

**LGC** H/L Logic  
 0 1.4V/0.4V  
 1 2.4V/0.6V

**SWS** SWx Setting  
 0000 SW1~SW9, 1/9  
 0001 SW1~SW8, 1/8, SW9 no-active  
 0010 SW1~SW7, 1/7, SW8~SW9 no-active  
 0011 SW1~SW6, 1/6, SW7~SW9 no-active  
 0100 SW1~SW5, 1/5, SW6~SW9 no-active  
 0101 SW1~SW4, 1/4, SW5~SW9 no-active  
 0110 SW1~SW3, 1/3, SW4~SW9 no-active  
 0111 SW1~SW2, 1/2, SW3~SW9 no-active  
 1000 All CSx work as current sinks only, no scan  
 Others 1/9

When OSDE set to "01", open detection will be trigger once, the user could trigger open detection again by set OSDE from "00" to "01".

When OSDE set "10", short detection will be trigger once, the user could trigger short detection again by set OSDE from "00" to "10".

When SSD is "0", IS31FL3741 works in software shutdown mode and to normal operate the SSD bit should set to "1".

SWS control the duty cycle of the SW, default mode is 1/9.

**Table 12 01h Global Current Control Register**

Bit	D7:D0
Name	GCC
Default	0000 0000

The Global Current Control Register modulates all CSy (x=1~39) DC current which is noted as I<sub>OUT</sub> in 256 steps.

I<sub>OUT</sub> is computed by the Formula (3):

$$I_{OUT} = \frac{380}{R_{SET}} \times \frac{GCC}{256} \times \frac{SL}{256} \quad (3)$$

$$GCC = \sum_{n=0}^7 D[n] \cdot 2^n$$

Where D[n] stands for the individual bit value, 1 or 0, in location n.

**Table 13 02h Pull Down/Up Resistor Selection Register**

Bit	D7	D6:D4	D3	D2:D0
Name	-	PDR	-	PUR
Default	0	000	0	000

Set pull down resistor for SWx and pull up resistor for CSy.

**PUR** SWx Pull Up Resistor Selection Bit  
 000 No pull down resistor  
 001 0.5kΩ  
 010 1.0kΩ  
 011 2.0kΩ  
 100 4.0kΩ  
 101 8.0kΩ  
 110 16kΩ

# IS31FL3741

111 32kΩ

**PDR** CSy Pull Down Resistor Selection Bit

000 No pull up resistor

001 0.5kΩ

010 1.0kΩ

011 2.0kΩ

100 4.0kΩ

101 8.0kΩ

110 16kΩ

111 32kΩ

**Table 14-1 Open/Short Register (Read Only)**

03h~06h Open/Short Information

08h~0Bh Open/Short Information

0Dh~10h Open/Short Information

12h~15h Open/Short Information

17h~1Ah Open/Short Information

1Ch~1Fh Open/Short Information

21h~24h Open/Short Information

26h~29h Open/Short Information

2Bh~2Eh Open/Short Information

Bit	D7:D0
Name	CS8:CS1;CS16:CS9;CS24:CS17;CS32:C S25 (MSB:LSB)
Default	0000 0000

07h Open/Short Information

0Ch Open/Short Information

11h Open/Short Information

16h Open/Short Information

1Bh Open/Short Information

20h Open/Short Information

25h Open/Short Information

2Ah Open/Short Information

2Fh Open/Short Information

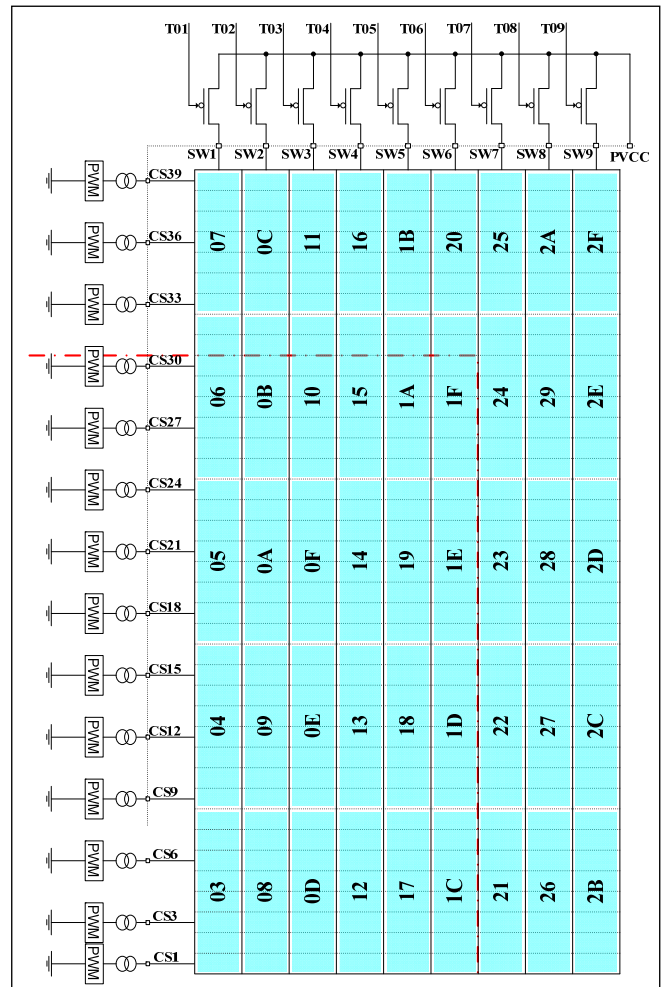
**Table 14-2 Open/Short Register (Read Only)**

Bit	D7	D6:D0
Name	-	CS39:CS33
Default	0	0000 000

When OSDE (PG4, 00h) is set to “01”, open detection will be trigger once, and the open information will be stored at 03h~2Fh.

When OSDE (PG4, 00h) set to “10”, short detection will be trigger once, and the short information will be stored at 03h~2Fh.

Before set OSDE, the GCC should set to 0x01.



**Figure 10** Open/Short Register

## 3Fh Reset Register

Once user writes the Reset Register with 0xAE, IS31FL3741 will reset all the IS31FL3741 registers to their default value. On initial power-up, the IS31FL3741 registers are reset to their default values for a blank display.

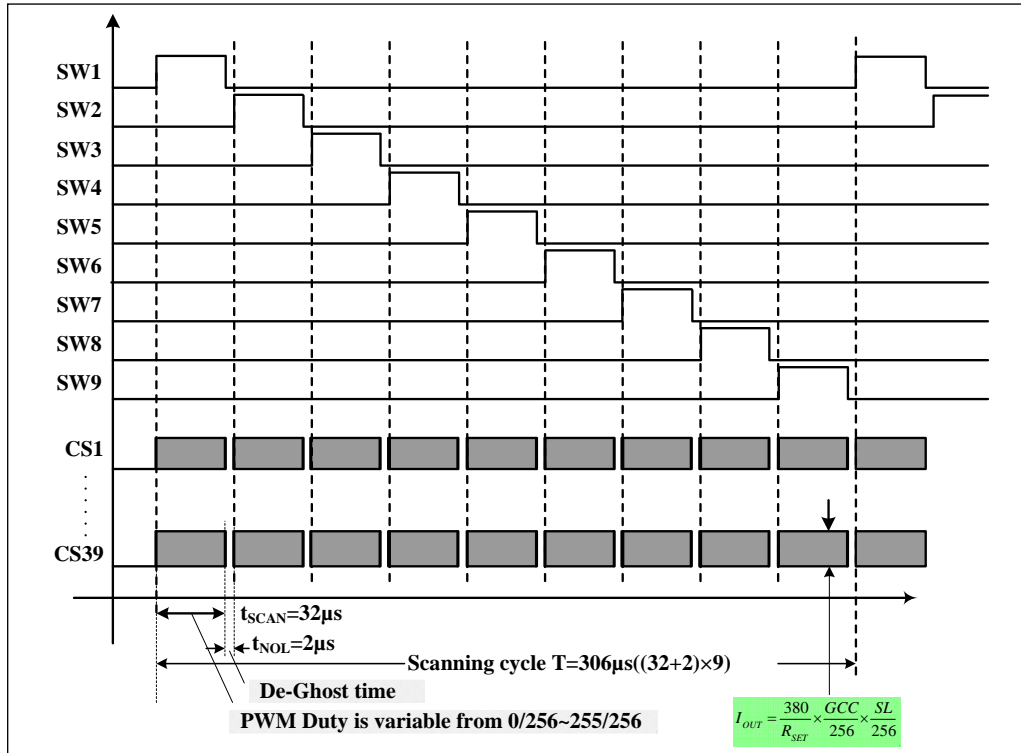


Figure 11 Scanning Timing

### SCANNING TIMING

As shown in Figure 11, the SW1~SW9 is turned on by serial, LED is driven 9 by 9 within the SWx (x=1~9) on time (SWx, x=1~9) is sink and pull low when LED on, including the non-overlap blanking time during scan, the duty cycle of SWx (active low, x=1~9) is:

$$Duty = \frac{32\mu s}{(32\mu s + 2\mu s)} \times \frac{1}{9} = \frac{1}{9.56} \quad (2)$$

Where 32µs is  $t_{SCAN}$ , the period of scanning and 2µs is  $t_{NOL}$ , the non-overlap time.

### PWM CONTROL

After setting the  $I_{OUT}$  and GCC, the brightness of each LEDs (LED average current ( $I_{LED}$ )) can be modulated with 256 steps by PWM Register, as described in Formula (1).

$$I_{LED} = \frac{PWM}{256} \times I_{OUT} \times Duty \quad (1)$$

Where PWM is PWM Registers (PG0/PG1, 00h~B3h) data showing in Table 8.

For example, in Figure 1, if  $R_{SET} = 10k\Omega$ , PWM= 255, and GCC= 255, Scaling= 255, then

$$I_{OUT} = \frac{380}{10k\Omega} \times \frac{255}{256} \times \frac{255}{256} = 37.7mA$$

$$I_{LED} = 37.7mA \times \frac{1}{9.56} \times \frac{PWM}{256} = 3.94mA \times \frac{PWM}{256}$$

Writing new data continuously to the registers can modulate the brightness of the LEDs to achieve a breathing effect.

### GAMMA CORRECTION

In order to perform a better visual LED breathing effect we recommend using a gamma corrected PWM value to set the LED intensity. This results in a reduced number of steps for the LED intensity setting, but causes the change in intensity to appear more linear to the human eye.

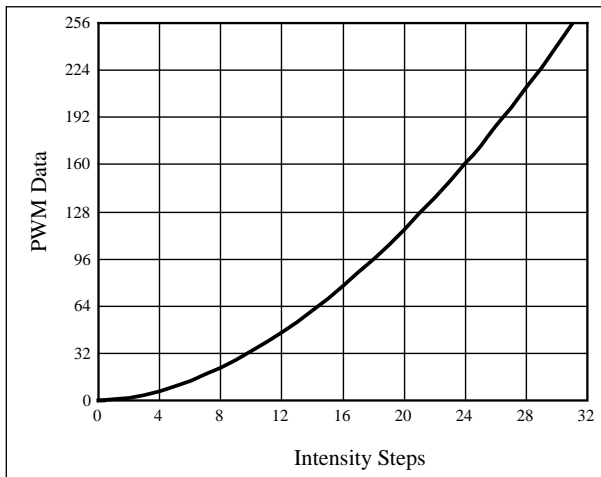
Gamma correction, also known as gamma compression or encoding, is used to encode linear luminance to match the non-linear characteristics of display. Since the IS31FL3741 can modulate the brightness of the LEDs with 256 steps, a gamma correction function can be applied when computing each subsequent LED intensity setting such that the changes in brightness matches the human eye's brightness curve.



# IS31FL3741

**Table 21 32 Gamma Steps with 256 PWM Steps**

C(0)	C(1)	C(2)	C(3)	C(4)	C(5)	C(6)	C(7)
0	1	2	4	6	10	13	18
C(8)	C(9)	C(10)	C(11)	C(12)	C(13)	C(14)	C(15)
22	28	33	39	46	53	61	69
C(16)	C(17)	C(18)	C(19)	C(20)	C(21)	C(22)	C(23)
78	86	96	106	116	126	138	149
C(24)	C(25)	C(26)	C(27)	C(28)	C(29)	C(30)	C(31)
161	173	186	199	212	226	240	255

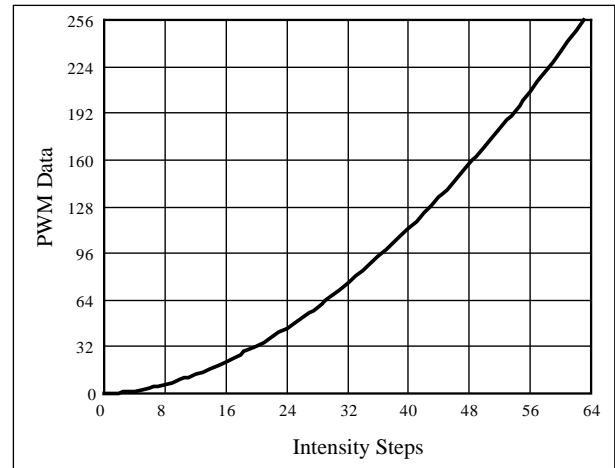


**Figure 12** Gamma Correction (32 Steps)

Choosing more gamma steps provides for a more continuous looking breathing effect. This is useful for very long breathing cycles. The recommended configuration is defined by the breath cycle T. When T=1s, choose 32 gamma steps, when T=2s, choose 64 gamma steps. The user must decide the final number of gamma steps not only by the LED itself, but also based on the visual performance of the finished product.

**Table 22 64 Gamma Steps with 256 PWM Steps**

C(0)	C(1)	C(2)	C(3)	C(4)	C(5)	C(6)	C(7)
0	1	2	3	4	5	6	7
C(8)	C(9)	C(10)	C(11)	C(12)	C(13)	C(14)	C(15)
8	10	12	14	16	18	20	22
C(16)	C(17)	C(18)	C(19)	C(20)	C(21)	C(22)	C(23)
24	26	29	32	35	38	41	44
C(24)	C(25)	C(26)	C(27)	C(28)	C(29)	C(30)	C(31)
47	50	53	57	61	65	69	73
C(32)	C(33)	C(34)	C(35)	C(36)	C(37)	C(38)	C(39)
77	81	85	89	94	99	104	109
C(40)	C(41)	C(42)	C(43)	C(44)	C(45)	C(46)	C(47)
114	119	124	129	134	140	146	152
C(48)	C(49)	C(50)	C(51)	C(52)	C(53)	C(54)	C(55)
158	164	170	176	182	188	195	202
C(56)	C(57)	C(58)	C(59)	C(60)	C(61)	C(62)	C(63)
209	216	223	230	237	244	251	255



**Figure 13** Gamma Correction (64 Steps)

**Note:** The data of 32 gamma steps is the standard value and the data of 64 gamma steps is the recommended value.

## OPERATING MODE

### PWM Mode

IS31FL3741 can only operate in PWM Mode. The brightness of each LED can be modulated with 256 steps by PWM registers. For example, if the data in PWM Register is "0000 0100", then the PWM is the fourth step.

Writing new data continuously to the registers can modulate the brightness of the LEDs to achieve a breathing effect.

### De-Ghost Function

The 'ghost' term is used to describe the behavior of an LED that should be OFF but instead glows dimly when another LED is turned ON. A ghosting effect typically can occur when multiplexing LEDs. In matrix architecture any parasitic capacitance found in the constant-current outputs or the PCB traces to the LEDs may provide sufficient current to dimly light an LED to create a ghosting effect.

To prevent this LED ghost effect, the IS31FL3741 has integrated Pull down resistors for each SWx (x=1~9) and Pull up resistors for each CSy (y=1~39). Select the right SWx Pull down resistor (PG4, 02h) and CSy Pull up resistor (PG4, 02h) which eliminates the ghost LED for a particular matrix layout configuration.

Typically, selecting the 32kΩ will be sufficient to eliminate the LED ghost phenomenon.

The SWx Pull down resistors and CSy Pull up resistors are active only when the CSy/SWx output working the OFF state and therefore no power is lost through these resistors.

## SHUTDOWN MODE

Shutdown mode can be used as a means of reducing power consumption. During shutdown mode all registers retain their data.

# IS31FL3741

---

## Software Shutdown

By setting SSD bit of the Configuration Register (PG4, 00h) to "0", the IS31FL3741 will operate in software shutdown mode. When the IS31FL3741 is in software shutdown, all current sources are switched off, so that the matrix is blanked. All registers can be operated. Typical current consume is 3 $\mu$ A.

## Hardware Shutdown

The chip enters hardware shutdown when the SDB pin is pulled low. All analog circuits are disabled during hardware shutdown, typical the current consume is 2 $\mu$ A.

The chip releases hardware shutdown when the SDB pin is pulled high. During hardware shutdown state Function Register can be operated.

If  $V_{CC}$  has risk drop below 1.75V but above 0.1V during SDB pulled low, please re-initialize all Function Registers before SDB pulled high.

## LAYOUT

As described in external resistor ( $R_{SET}$ ), the chip consumes lots of power. Please consider below factors when layout the PCB.

1. The  $V_{CC}$  (PVCC, AVCC) capacitors need to close to the chip and the ground side should well connected to the GND of the chip.

2.  $R_{SET}$  should be close to the chip and the ground side should well connect to the GND of the chip.

3. The thermal pad should connect to ground pins and the PCB should have the thermal pad too, usually this pad should have 16 or 25 via thru the PCB to other side's ground area to help radiate the heat. About the thermal pad size, please refer to the land pattern of each package.

4. The CSy pins maximum current is 38mA ( $R_{EXT}=10k\Omega$ ), and the SWx pins maximum current is larger, the width of the trace, SWx should have wider trace than CSy.

5. In the middle of SDA and SCL trace, a ground line is recommended to avoid the effect between these two lines.

# IS31FL3741

## CLASSIFICATION REFLOW PROFILES

Profile Feature	Pb-Free Assembly
<b>Preheat &amp; Soak</b>	
Temperature min (T <sub>smin</sub> )	150°C
Temperature max (T <sub>smax</sub> )	200°C
Time (T <sub>smin</sub> to T <sub>smax</sub> ) (t <sub>s</sub> )	60-120 seconds
Average ramp-up rate (T <sub>smax</sub> to T <sub>p</sub> )	3°C/second max.
Liquidous temperature (T <sub>L</sub> )	217°C
Time at liquidous (t <sub>L</sub> )	60-150 seconds
Peak package body temperature (T <sub>p</sub> )*	Max 260°C
Time (t <sub>p</sub> )** within 5°C of the specified classification temperature (T <sub>c</sub> )	Max 30 seconds
Average ramp-down rate (T <sub>p</sub> to T <sub>smax</sub> )	6°C/second max.
Time 25°C to peak temperature	8 minutes max.

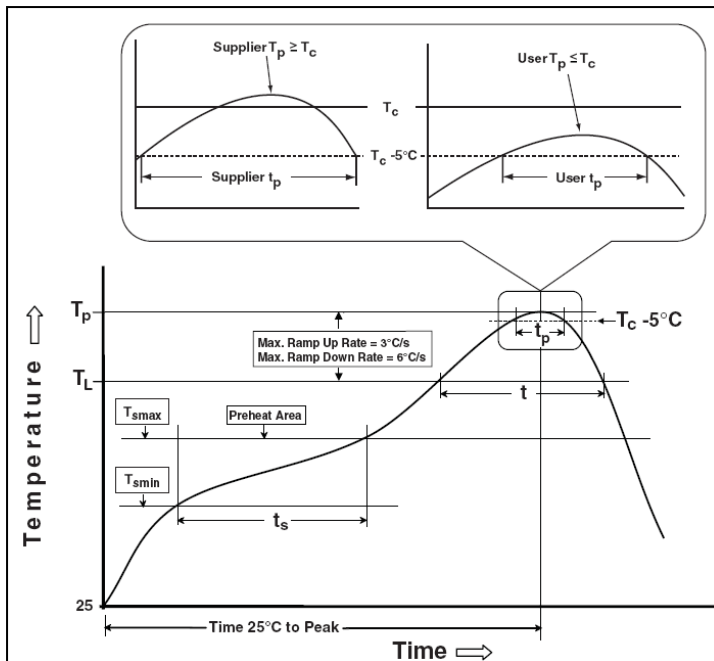
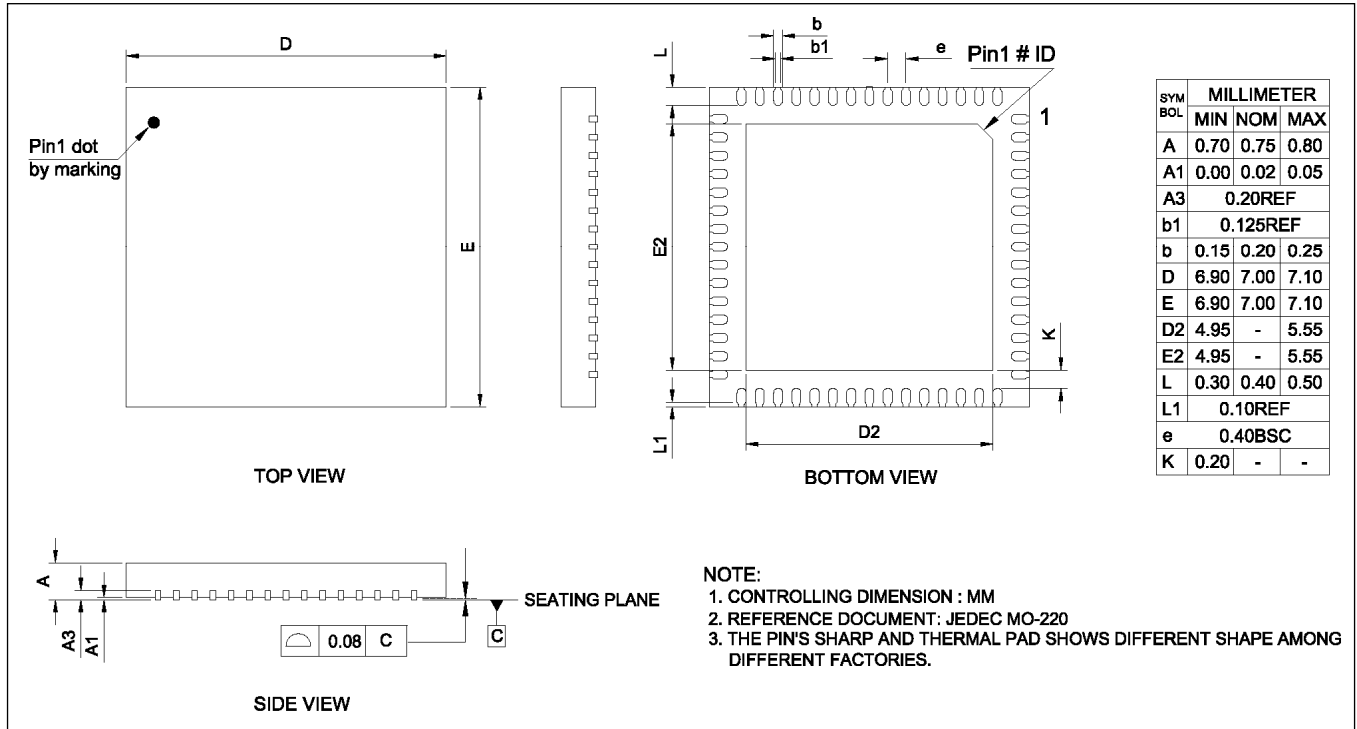


Figure 14 Classification profile

# IS31FL3741

## PACKAGE INFORMATION

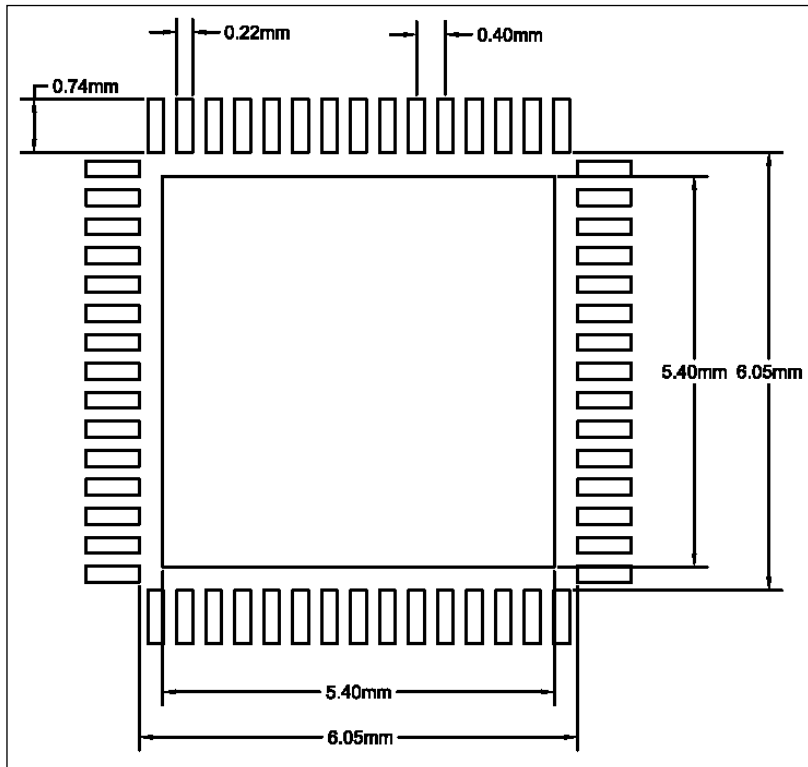
### QFN-60



# IS31FL3741

## RECOMMENDED LAND PATTERN

### QFN-60



#### Note:

1. Land pattern complies to IPC-7351.
2. All dimensions in MM.
3. This document (including dimensions, notes & specs) is a recommendation based on typical circuit board manufacturing parameters. Since land pattern design depends on many factors unknown (eg. user's board manufacturing specs), user must determine suitability for use.



# IS31FL3741

---

## REVISION HISTORY

Revision	Detail Information	Date
0A	Initial release	2017.06.02